

IMPORTANT

stakWEL® Installation Instructions Read BEFORE Backfilling



MODULE INSTALLATION

Install bottom window well module so that it rests on flat, undisturbed soil as shown in Figure 2. Mount and anchor lower module into position as instructed below.

Buck Mounting: Utilize the back-out screws provided in the buck for attachment. **IMPORTANT: Use washers provided with buck (or minimum 3/4" diameter) and a minimum of (3) fasteners per mounting flange (6 per module) for proper**

installation. Add fasteners and washers as required if there are not enough back-out screws to meet this requirement (see wall mounting instructions for fastener requirements).

Wall Mounting: Important - maintain a 58-1/4" on center dimension between the keyholes on each flange to ensure proper fit of the optional well cover. Anchor module to wall using 3/8" (.375") diameter masonry fasteners* with washers* (minimum 3/4" diameter). Fasteners must be designed for the wall material to which attachment will occur and be at least 1-3/4" in length.

IMPORTANT: Use a minimum of (3) fasteners per mounting flange (6 per module) for proper installation.

Method of attachment must be adequate to restrain earth loads imposed on the well.

* Not supplied with window well

After the first module is fully anchored, remove the top inserts so that the next module can be installed. This is done by removing the retaining screw and washer as shown in Figure 1. Slide the next module in place and anchor module as instructed above. Replace the inserts into the lower module and secure with retaining screw and washer. Make sure that insert tabs are placed under the retaining pins as shown in Figure 3. Repeat process until all modules are installed.

BACKFILLING FAILURE TO PROPERLY BACK FILL WILL VOID WARRANTY

If sandy soil exists, line the opening with a permanent barrier (such as house wrap) to restrict sand from washing into rock.

Outside of Well: Backfill evenly by hand on all sides as the hole is filled in; Do not do one side at a time. Always use 3/4" clean free-draining rock or A6 stone completely around the well at least 12" in width to isolate the well from the earth. Fill area to within 4" of top module. This will keep window well movement to a minimum during cold weather freeze/thaw conditions and settling soil. Do not use expansive soils, frozen soils, material that has debris, or organic material.

Inside of Well: Place the free-draining rock in the bottom of the well to within 1" of the window sill. If a perimeter drainage system exists, it is best to tie the well drainage into this system by running a pipe extension up from the drain line to the base of the well. Make sure that the free draining rock fills the space directly under the deepest well module to the bottom of the excavation. Do not settle material around the well with water.

Figure 1

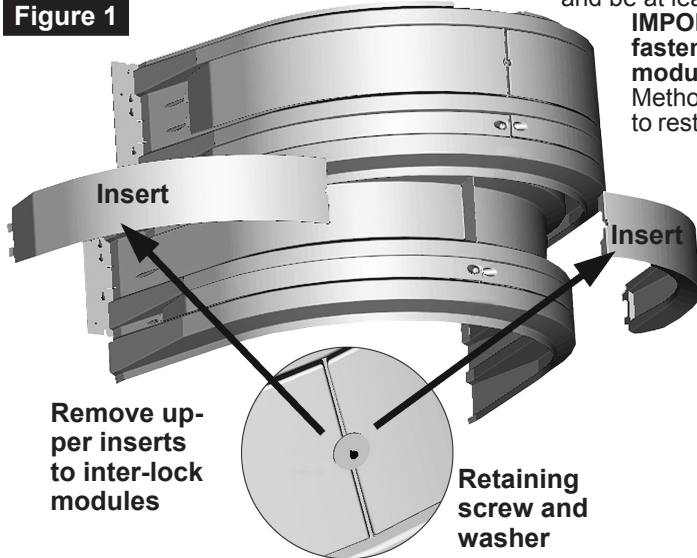


Figure 2

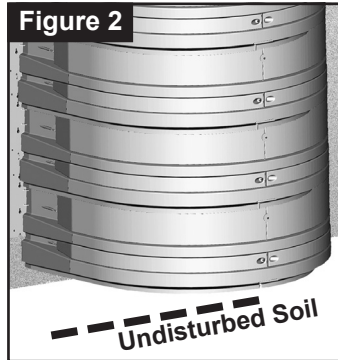


Figure 3

