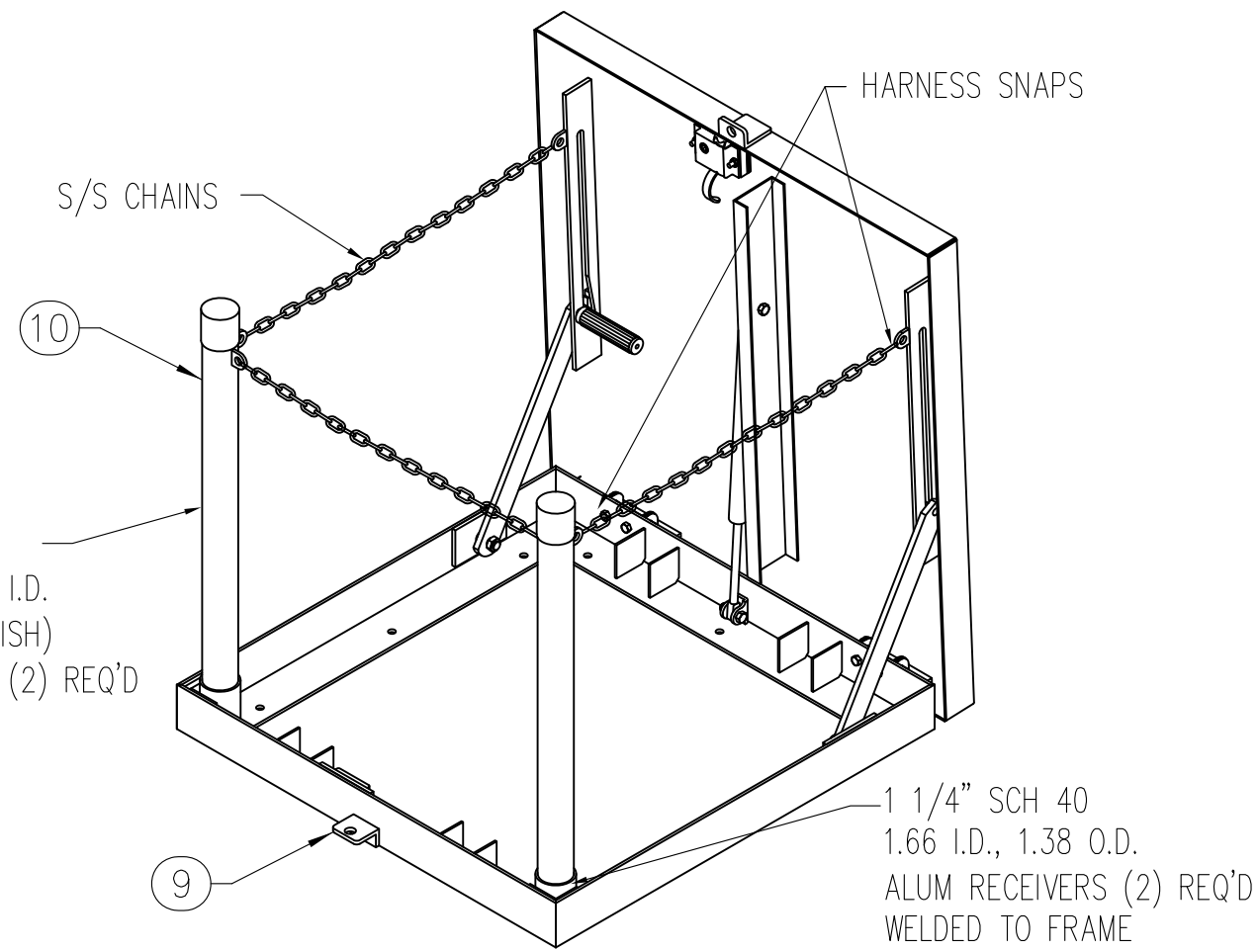
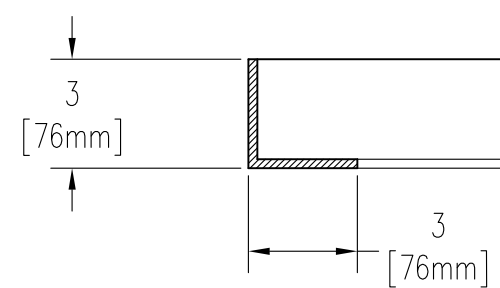
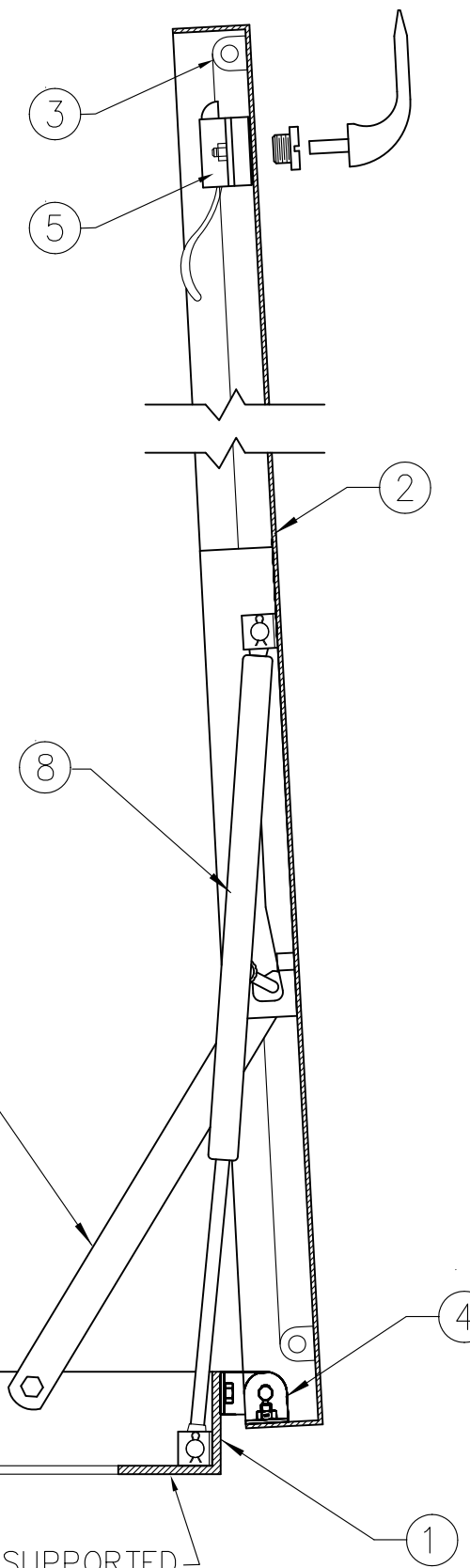


1" SCH 40
1.32 O.D., 1.05 I.D.
ALUM (MILL FINISH)
STANCHIONS - (2) REQ'D



ABOVE SHOWN WITH OPTIONAL
POST & CHAINS AND PADLOCK HASP

7/16" [11] DIA. ANCHOR HOLES
(BOLTS BY OTHERS)



SECTION

FRAME SUPPORTED
BY OTHERS

SPECIFICATIONS

1. 3" X 3" X 1/4" ALUMINUM ANGLE FRAME
2. 1/8" ALUMINUM DIAMOND PLATE COVER
3. GASKET (ALL AROUND COVER)
4. PINTLE HINGE (S/S)
5. SLAM LOCK W/ REMOVABLE HANDLE & COVER PLUG
6. HOLD OPEN ARM W/ RED VINYL GRIP
7. GUIDE ARM (IF REQ'D-DETERMINED BY SIZE)
8. GAS STRUT LIFTING MECHANISM (POWDER COATED)

OPTIONS

(SHOWN ON DRAWING FOR REFERENCE ONLY)

9. PADLOCK LUGS (Ø1/2" HOLE, PADLOCK BY OTHERS)
10. POSTS & CHAINS

SHOP FINISH:

ALUMINUM: MILL FINISH

HARDWARE: NON-CORROSIVE MATERIALS
(UNLESS OTHERWISE SPECIFIED)

INSTALLER NOTES:

FOLLOW MANUFACTURES INSTALLATION
INSTRUCTIONS, TO BE SUPPLIED WITH UNITS

CUSTOMER:

P.O. N°

JOB:

SALES REP:

Manufacturers of Doors for Special Services
Bilco® THE BILCO COMPANY
New Haven, Connecticut 06505

SINGLE LEAF ACCESS DOOR TYPE SM - SURFACE MOUNT SIZE

QTY	TYPE	WIDTH x LENGTH
<input type="checkbox"/>	SM-1	2'-0" x 2'-0" [610mm] x [610mm]
<input type="checkbox"/>	SM-2	2'-6" x 2'-6" [762mm] x [762mm]
<input type="checkbox"/>	SM-3	3'-0" x 2'-6" [914mm] x [762mm]
<input type="checkbox"/>	SM-4	3'-0" x 3'-0" [914mm] x [914mm]
<input type="checkbox"/>	SM-5	3'-6" x 3'-6" [1067mm] x [1067mm]

FOR SIZE LIMITATIONS ON THIS PRODUCT, CONSULT FACTORY

THIS DRAWING IS THE PROPERTY OF THE BILCO COMPANY AND INCORPORATES INFORMATION WHICH IS PROPRIETARY. PUBLICATION AND/OR PUBLIC DISTRIBUTION IN WHOLE OR IN PART IS EXPRESSLY PROHIBITED WITHOUT THE PRIOR WRITTEN CONSENT OF THE BILCO COMPANY. THE INFORMATION CONTAINED HEREIN REMAINS THE PROPERTY OF THE BILCO COMPANY. ALL RIGHTS RESERVED.