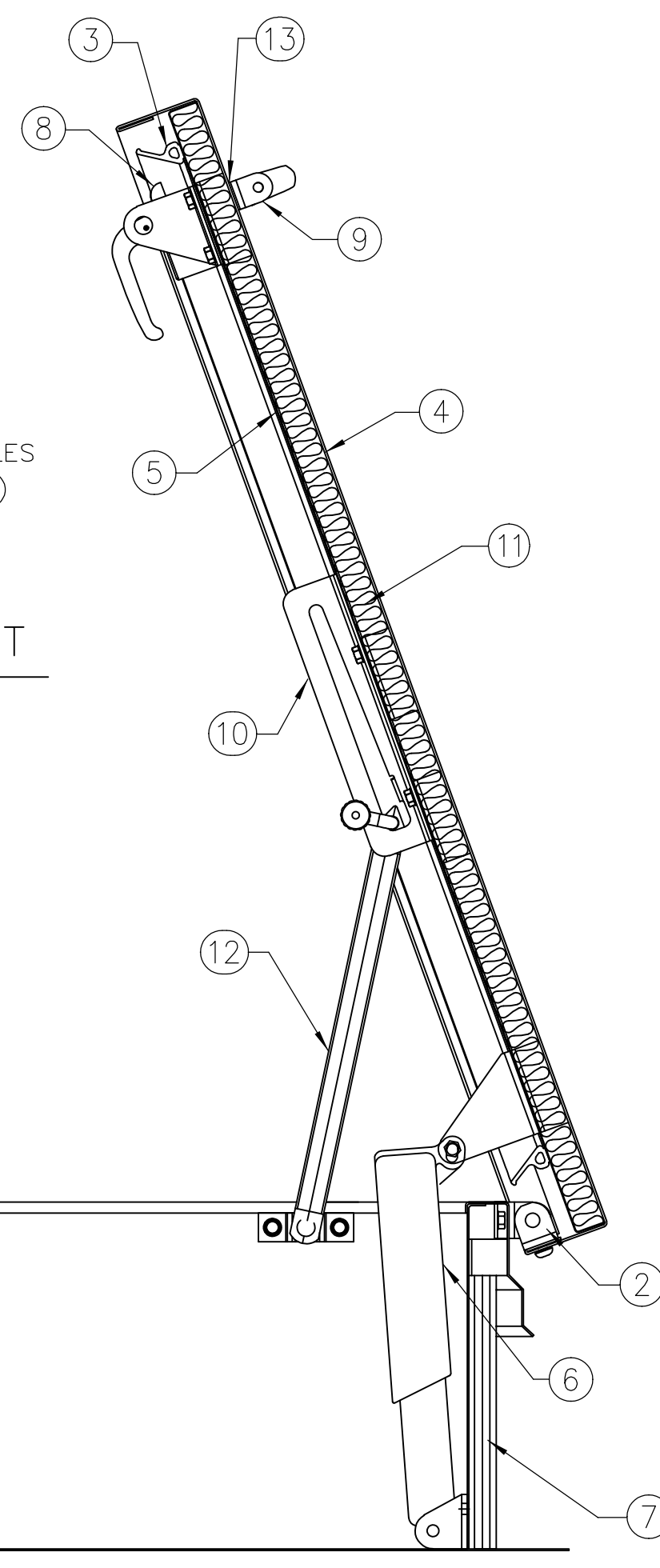


ANCHOR HOLE LAYOUT



**SPECIFICATIONS**

1. FRAME W/ CAPFLASHING (CORNERS FULL WELDED)
    - S-20 - 14 GAUGE P.B. GALV. STEEL
    - S-40 - 14 GAUGE P.B. GALV. STEEL
    - S-50 - 11 GAUGE ALUMINUM
    - S-90 - 14 GAUGE TYPE 304 STAINLESS STEEL
  2. PINTLE HINGE
  3. GASKET (ALL AROUND COVER)
  4. COVER GAUGE
    - S-20 - 14 GAUGE P.B. GALV. STEEL
    - S-40 - 11 GAUGE ALUMINUM
    - S-50 - 11 GAUGE ALUMINUM
    - S-90 - 14 GAUGE TYPE 304 STAINLESS STEEL
  5. COVER LINER
    - S-20 - 22 GAUGE P.B. GALV. STEEL
    - S-40 - 18 GAUGE ALUMINUM
    - S-50 - 18 GAUGE ALUMINUM
    - S-90 - 22 GAUGE TYPE 304 STAINLESS STEEL
  6. LIFTING MECHANISM WITH REINFORCED COMPOSITE TUBES AND COMPRESSIONS SPRINGS
  7. 1" RIGID FIBERBOARD INSULATION
  8. SLAM LATCH
  9. INSIDE AND OUTSIDE HANDLES W/ PADLOCK HASPS
  10. ARM GUIDE BRACKET
  11. 1" THICK FIBERGLASS COVER INSULATION
  12. HOLD OPEN ARM W/ RED VINYL GRIP
  13. NEOPRENE GASKET
  14. LOCK STRIKE & PADLOCK HASP
  15. BILCLIP® FLASHING SYSTEM
- SHOP FINISH:  
 STEEL: RED OXIDE PRIMER  
 ALUMINUM: MILL FINISH  
 HARDWARE: ZINC PLATED & CHROMATE SEALED (UNLESS OTHERWISE SPECIFIED)  
 STAINLESS STEEL: BEADBLAST FINISH TYPE 316 S/S HARDWARE

THIS PRODUCT MAY BE INSTALLED ON EITHER A FLAT OR SLOPING ROOF. WHEN INSTALLED ON A SLOPE, THE HINGE SIDE MUST RUN PARALLEL WITH THE SLOPE. IF SLOPE EXCEEDS 30°, ADVISE FACTORY FOR MODIFICATION.

*CUSTOMER:*

*P.O. N°*

*JOB:*

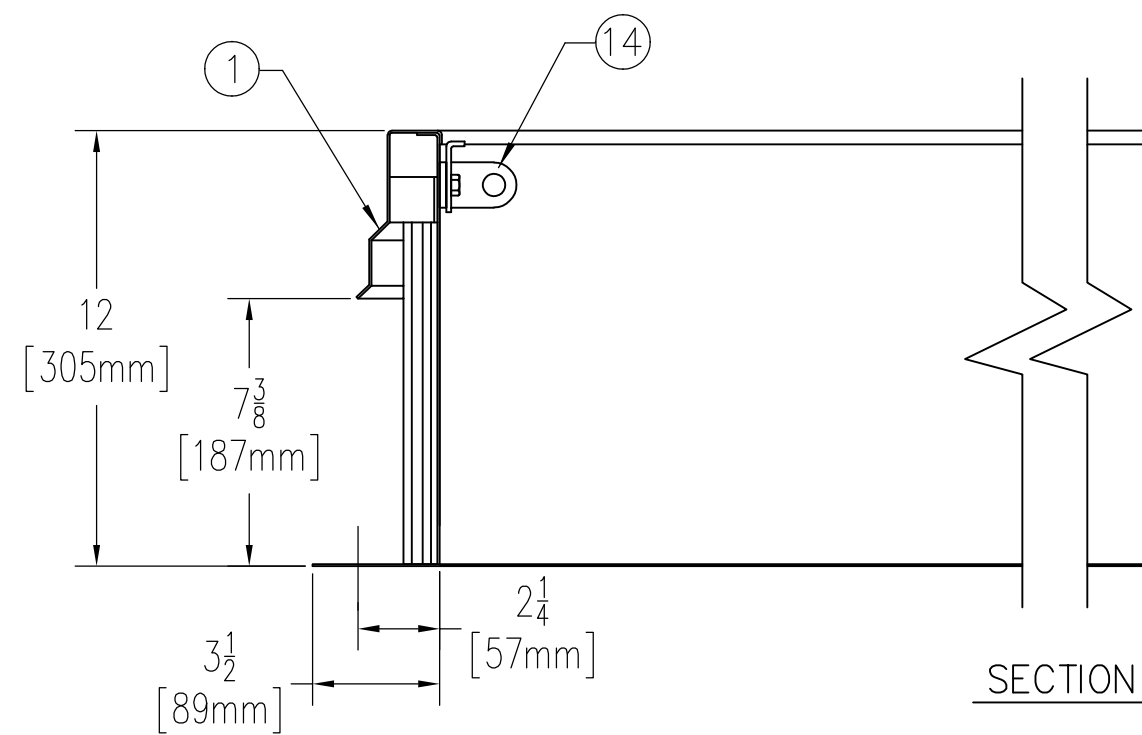
*SALES REP:*

Manufacturers of Doors for Special Services  
**Bilco**® THE BILCO COMPANY  
 New Haven, Connecticut 06505

**SINGLE LEAF ROOF SCUTTLE**  
**TYPE S SIZE 3'-0" x 2'-6"**  
WIDTH x LENGTH  
**METAL**

QTY	TYPE	METAL
<input type="checkbox"/>	S-20	STEEL COVER/STEEL FRAME
<input type="checkbox"/>	S-40	ALUM. COVER/STEEL FRAME
<input type="checkbox"/>	S-50	ALUM. COVER/ALUM. FRAME
<input type="checkbox"/>	S-90	STLS STL COVER/STLS STL FRAME

MIAMI-DADE PRODUCT APPROVED (NOA NO. 19-1029.10)  
 MEETING LARGE AND SMALL MISSILE IMPACT REQUIREMENTS  
 FLORIDA PRODUCT APPROVAL #FL15110  
 TYPE: S-20 AND S-50 ONLY



SECTION

THIS DRAWING IS THE PROPERTY OF THE BILCO COMPANY AND INCORPORATES INFORMATION WHICH IS PROPRIETARY. PUBLICATION AND/OR PUBLIC DISTRIBUTION IN WHOLE OR IN PART IS EXPRESSLY PROHIBITED WITHOUT THE PRIOR WRITTEN CONSENT OF THE BILCO COMPANY. THE INFORMATION CONTAINED HEREIN REMAINS THE PROPERTY OF THE BILCO COMPANY. ALL RIGHTS RESERVED.