

Experience. Innovation.

PermEntry®



> The Complete
Basement Entrance



an AmesburyTruth™ company

800.854.9724
WWW.BILCO.COM

PermEntry®

The PermEntry Basement Entrance adds sales appeal and value to any home by providing convenient, direct access to basement areas. The product consists of a precast concrete stairwell and BILCO basement door that is delivered and installed on your foundation by a BILCO dealer.



PermEntry Benefits

- Adds building code compliant emergency egress.
- Provides direct access to mechanical equipment, reducing traffic and damage to the main level of the home.
- Allows large furniture, bulky appliances and patio furniture to be easily moved into basement areas.
- Creates additional living space and saleable square footage.
- The PermEntry system works well on any new or existing concrete foundation.

The complete installation of the precast stairwell and door is typically done in under two hours.

- Holes for the special high-strength bolts are drilled through foundation.
- Facing surfaces are coated with self-sealing butyl resin strip sealant for a watertight seal. The PermEntry precast stairwell is then lowered into position onto the foundation footing.
- Precast stairwell is secured prior to backfill through foundation wall using built-in steel anchors. On a block or precast foundation, a permanent steel support is installed on a concrete slab underneath the precast unit.
- The BILCO door is anchored to the precast stairwell and caulked. The area is then backfilled and landscaped.



Advantages and Features

Concrete Stairwell

- Precast in one piece.
- Thoroughly vibrated for maximum density.
- Manufactured to rigid specifications for controlled high quality.
- A performance-proven product.
- Can be installed on poured concrete and concrete block foundations.
- Thousands installed since 1960.
- Satisfies IRC 2015 Building Code requirements for emergency egress in finished basements.

BILCO Basement Door

- Rugged heavy gauge steel construction (Also available in no maintenance polyethylene construction).
- Neat and trim appearance.
- Lift assistance for ease of operation.
- Flanged, weather resistant construction.
- Slide bolt locking mechanism (Optional keyed lock kit available).



See basement door section at www.BILCO.com for complete information on BILCO basement doors

Contact us by phone: 800.854.9724 or email: residential@BILCO.com

Log on to www.BILCO.com to find a sales representative near you.

Pre-Installation Requirements:

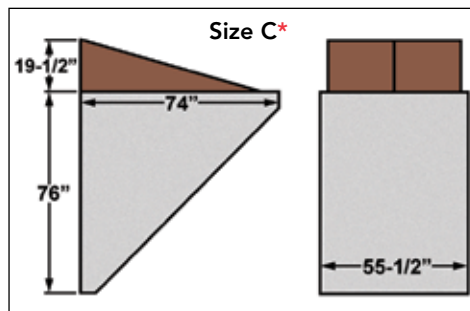
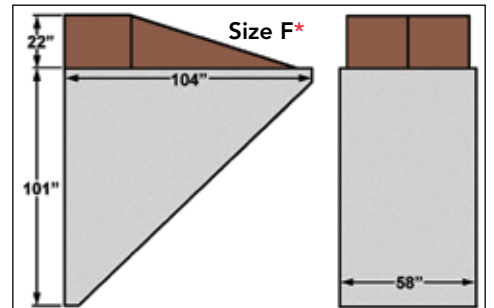
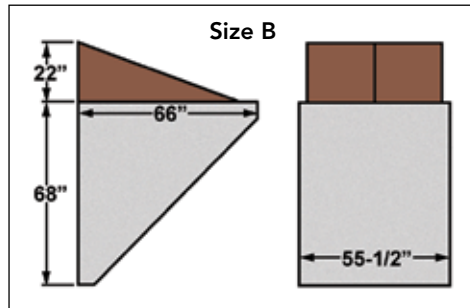
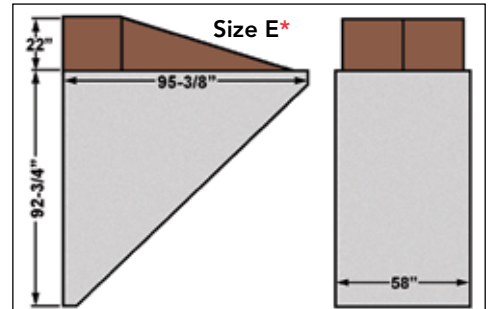
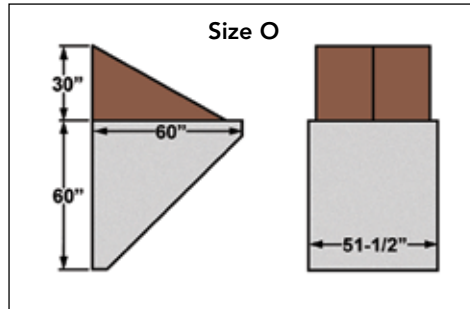
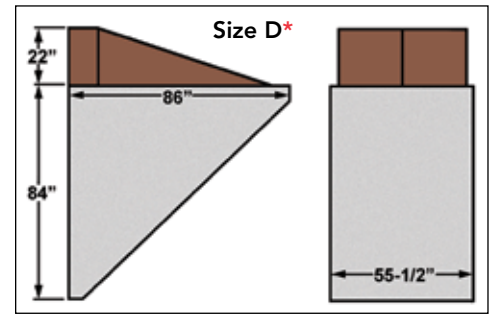
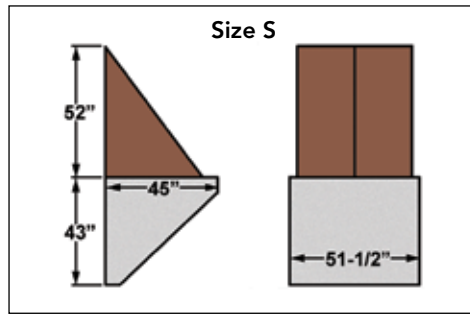
1. Provide truck access to within 10' of the center of the PermEntry unit.
2. Foundation footing and opening should be LEVEL, PLUMB and SQUARE.
3. Width of opening in foundation wall should be 40" maximum for all sizes.
4. Ensure proper soil drainage at base of unit. A footing drain to daylight is recommended.
5. When foundation is backfilled, leave minimum work area for PermEntry installation as shown.
6. Basement floor or equivalent slab should be poured in the concrete wall.
7. Hold foundation tar coating back minimum 12" each side of opening.

How to Measure:

1. Determine the measurement from the finished grade to the foundation footing.
2. Refer to table below to select proper size. Top of casting should be a minimum of 2" above finished grade.
3. Double check your pre-installation requirements and check site to determine that there is proper truck access to and from the PermEntry installation site.

Post-Installation Requirements:

1. Properly backfill and compact excavation with clean, suitable fill and/or stone. NEVER USE CONSTRUCTION DEBRIS and NEVER backfill higher than 2" below top of concrete casting.
2. Final grade should be adjusted to leave 2" – 6" of casting above finished grade, immediately slope grade away from the PermEntry unit in all directions.
3. Avoid locating down spouts or sump discharge near the PermEntry unit.
4. An insulated door at bottom of stairs is recommended to reduce heat loss.
5. For steel doors, if supplied with a red oxide primer finish, a finish coat must be applied within forty-five (45) days of installation. See paint label on interior of door leaf for complete instructions. If your door has a powder coat finish, no additional finishing is required.



PermEntry Size	Footing to Grade
S	35" – 41"
O	52" – 58"
B	59" – 66"
C*	67" – 74"
D*	75" – 82"
E*	83" – 91"
F*	92" – 99"

* Optional Ultra Series Door available for sizes C, D, E and F only.

BILCO Basement Door Models



Classic Series, Primer Door

Classic Series, Powder Coat Door

Ultra Door, Ultra Series



Only available on Classic Series doors, sizes B and C and extension panels.

Contact us by phone: 800.854.9724 or email: residential@BILCO.com

Experience. Innovation.

- *Commercial Access Products*
- *Fire Protection Products*
- *Natural Ventilators*
- *Basement Access Products*
- *Basement Egress Products*

The BILCO Company
Phone: 800.854.9724
Fax: 740.455.3400
E-mail: residential@BILCO.com

WWW.BILCO.COM

Licensed Dealer



an Amesbury**Truth** company