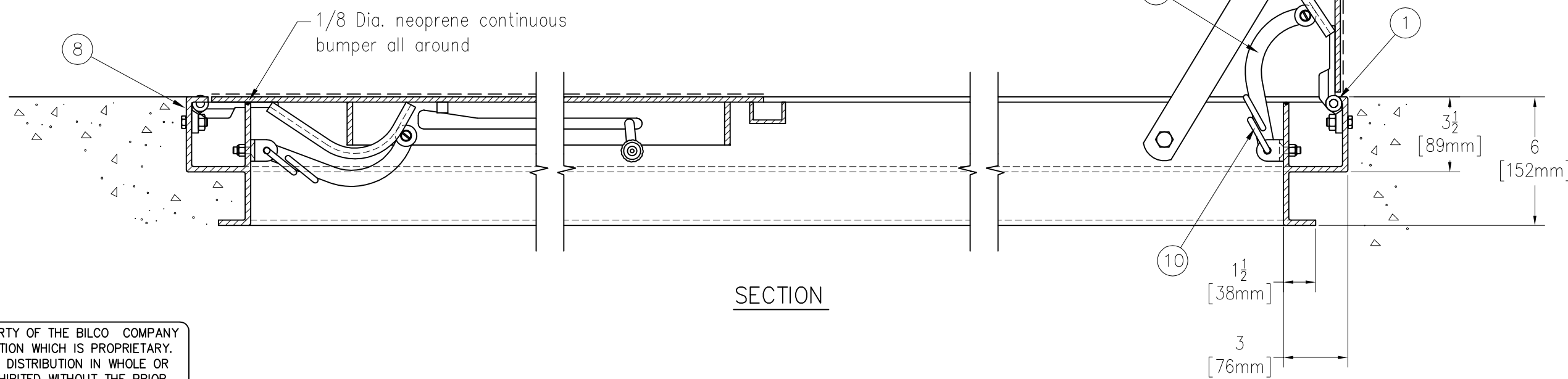


Frame areas that come in contact with concrete shall be coated with bituminous paint



SECTION

SPECIFICATIONS

1. Bilco heavy duty forged brass hinges with stainless steel pins
2. Guide arm (if req'd)
3. 1-1/2" drain coupling
4. Standard slam lock
5. Cam assembly
6. Bilco automatic hold open arm w/ red vinyl grip
7. 1/4" aluminum diamond pattern plate cover
8. Bilco 1/4" aluminum channel frame with extruded anchor flange
9. Heavy duty check chain
10. Torsion rods (stainless steel)

SHOP FINISH:
 ALUMINUM: MILL FINISH
 HARDWARE: ZINC PLATED & CHROMATE SEALED
 (unless otherwise specified)

REINFORCED FOR 300 Lbs. PER Sq. Ft.
 (1464 kg. PER Sq. METER) LIVE LOAD

INSTALLER NOTES:

- A. Use caution. Cover is spring loaded. Do not remove safety shipping bolt until unit is to be installed and in normal horizontal operating position.
- B. Be sure unit is set on slight pitch toward drain corner.
- C. Before anchoring in place open and close door. Check to see that the door in the closed position rests on the frame all around. If not, shim under the frame at the proper corner.
- D. Do not reduce 1 1/2" drain pipe to dry well or disposal system.
- E. Bend down anchors if required

Customer:

P.O. N°

Job:

Sales Rep:

Manufacturers of Doors for Special Services
Bilco® THE BILCO COMPANY
 New Haven, Connecticut 06505

**DOUBLE LEAF ACCESS DOOR
 TYPE PDCM - INTERIOR/EXTERIOR**

QTY	TYPE	SIZE	
		WIDTH	LENGTH
<input type="checkbox"/>	PDCM-2	4'-0" x 4'-0" [1220mm] x [1220mm]	
<input type="checkbox"/>	PDCM-3	4'-0" x 6'-0" [1220mm] x [1830mm]	
<input type="checkbox"/>	PDCM-4	5'-0" x 5'-0" [1525mm] x [1525mm]	

THIS DRAWING IS THE PROPERTY OF THE BILCO COMPANY AND INCORPORATES INFORMATION WHICH IS PROPRIETARY. PUBLICATION AND/OR PUBLIC DISTRIBUTION IN WHOLE OR IN PART IS EXPRESSLY PROHIBITED WITHOUT THE PRIOR WRITTEN CONSENT OF THE BILCO COMPANY. THE INFORMATION CONTAINED HEREIN REMAINS THE PROPERTY OF THE BILCO COMPANY. ALL RIGHTS RESERVED.