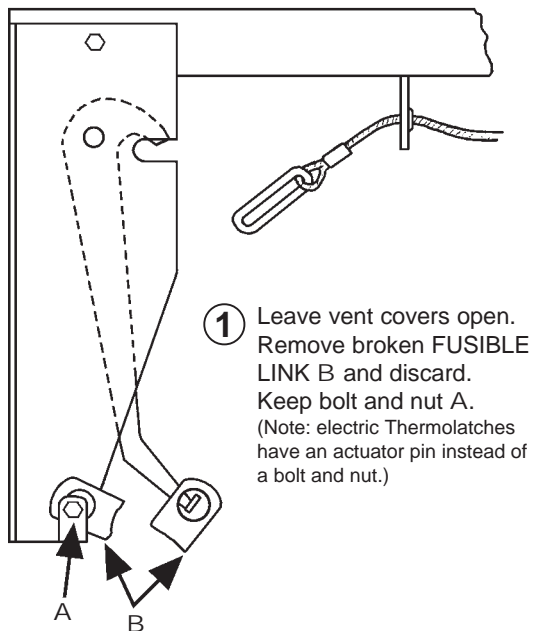


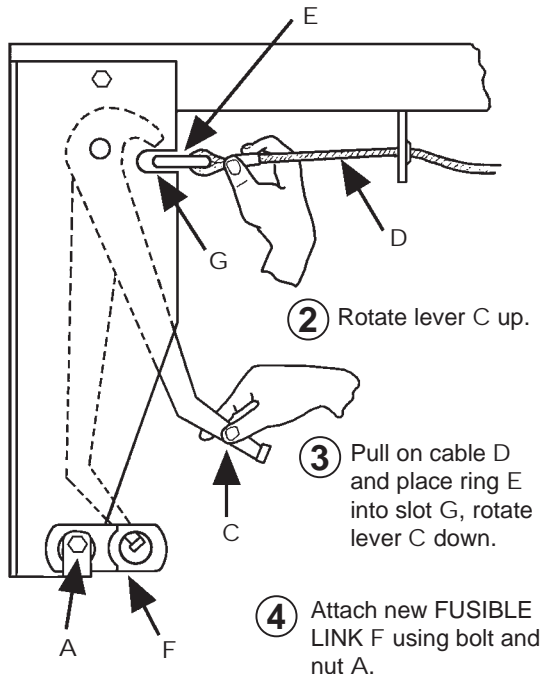
# How to Reset THERMOLATCH® II Control Mechanism with a New FUSIBLE LINK



## Two-Cover Vents



- 1 Leave vent covers open. Remove broken FUSIBLE LINK B and discard. Keep bolt and nut A. (Note: electric Thermolatches have an actuator pin instead of a bolt and nut.)



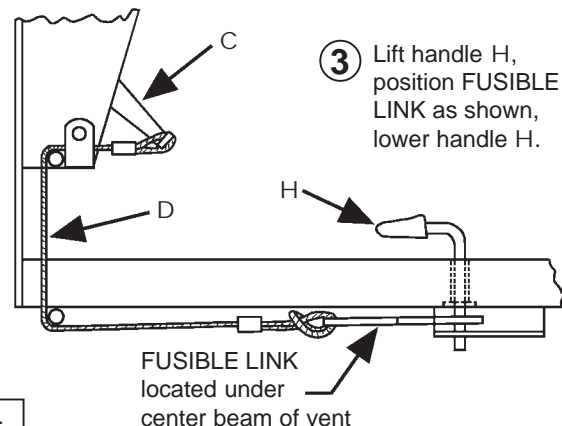
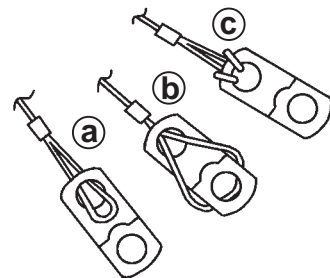
- 2 Rotate lever C up.
- 3 Pull on cable D and place ring E into slot G, rotate lever C down.
- 4 Attach new FUSIBLE LINK F using bolt and nut A.

Vent covers may be closed and reopened without disturbing new Fusible Link.



## Four-Cover Vents

- 1 Remove broken FUSIBLE LINK from tether and attach new link as shown at right.
- 2 Follow Two-Cover steps 2 and 3



- 3 Lift handle H, position FUSIBLE LINK as shown, lower handle H.

FUSIBLE LINK located under center beam of vent