

Installation Instructions

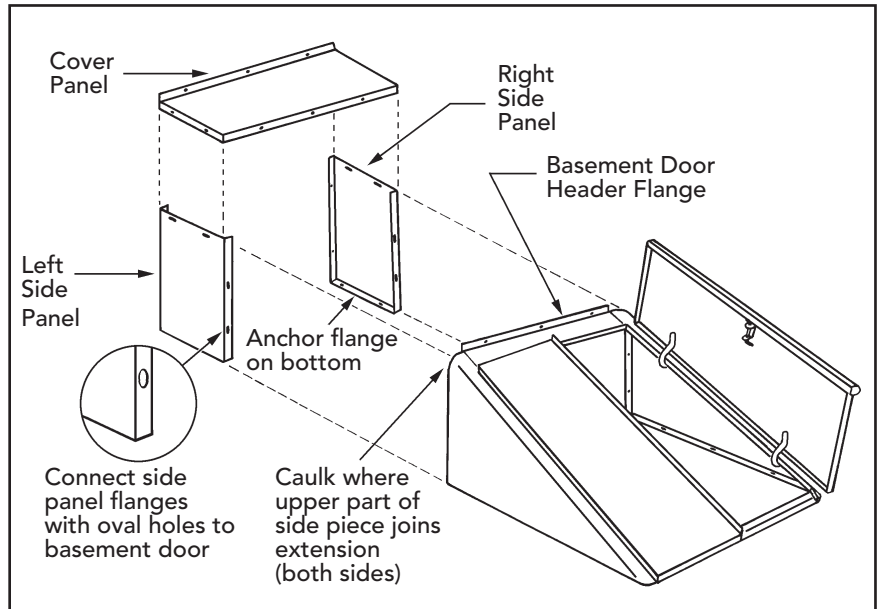
Size C BILCO Basement Door Extensions

(Used to increase the length when required to fit a longer stairwell)

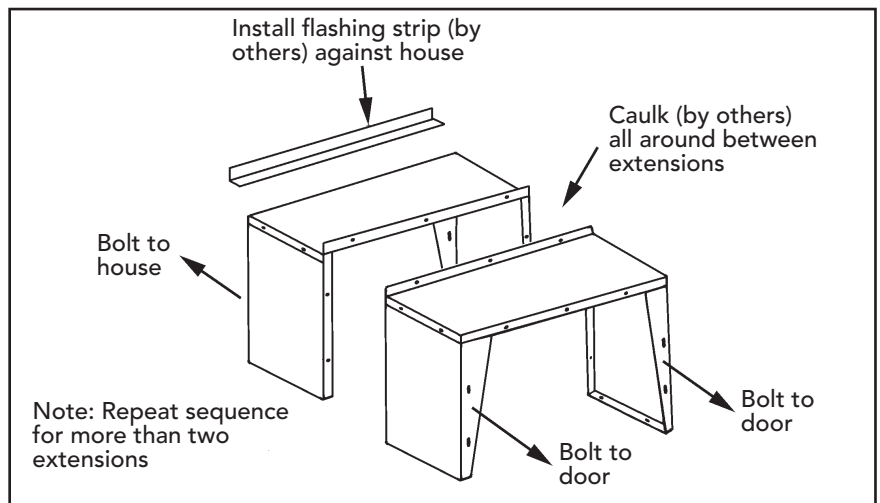
1. First assemble the size C BILCO door in accordance with the installation instructions in the door hardware package.
2. The extension assembly consists of three parts: left side panel, right side panel, and cover panel. With the non-flanged portion of the extension side panels facing upward and the oval holes facing the basement door as shown, fasten the extension side panels to the back angle of the BILCO Door side pieces with the 1/4"-20 x 1/2" bolts and nuts provided.
3. Install cover panel so flanges overlap the side panels and the header flange of the BILCO Door. Secure this with 1/4" -20 x 1/2" bolts, with nuts on inside.
4. Follow Basement Door instructions for installation of extension header against masonry building or to fit it properly under the shingles or clapboards on a frame building.
5. Using holes provided at bottom of each side panel, fasten extension to concrete using 1-1/2" nail driven anchors as described in Basement Door instructions. (Note: 24" & 30" sides panels have two holes, 12" & 18" side panels have one hole and 6" side panels have no holes as concrete anchorage is not required).
6. When caulking around the exterior of the BILCO Door and extension be sure to caulk where side pieces join extension.
7. BILCO extension panels are supplied in either a red oxide primer or powder coat paint finish. If your extension panel has a powder coat finish, no additional finishing is required.

Hardware Supplied with Extension	Extension Size	Shipping Weight
(13) 1/4" -20 x 1/2" round head bolts	6"	26 lbs.
(13) 1/4" nuts	12"	41 lbs.
(8) 1/4" x 1-1/2" Nail driven anchors	18"	58 lbs.
	24"	73 lbs.
	30"	91 lbs.

Installing One Extension Panel



Installing Multiple Extension Panels



IMPORTANT: Extension panels supplied with a primer finish must be painted within forty-five (45) days of installation. BILCO requires the use an **exterior alkyd base enamel**. For best results, carefully follow the directions on the paint label and apply one thin coat of paint followed by a second coat on both the exterior and interior primed steel surfaces of the extension panel. Two quarts should be sufficient to coat the entire door and extension panel. **Application of paints that are not alkyd based may void product warranty.**

Installing Multiple Extension Panels

To install two standard extensions, of any length, back to back. Note that the front of the second extension is then against the house and the rear flange extends downward rather than up. Extreme care is required to apply caulking between the joint with the house in order to avoid leakage. Flashing over the extension is a good precaution. With two 24 inch extensions and the Size C Door, areaways up to almost ten feet long can be accommodated.



an Amesbury Truth company

Customer Service:

(800)854-9724

E-mail: residential@bilco.com

www.bilco.com