



an AmesburyTruth™ company

# Extensions for BILCO Ultra Series Basement Doors

Extensions are used to increase the length of a basement door when required to fit a longer stairwell

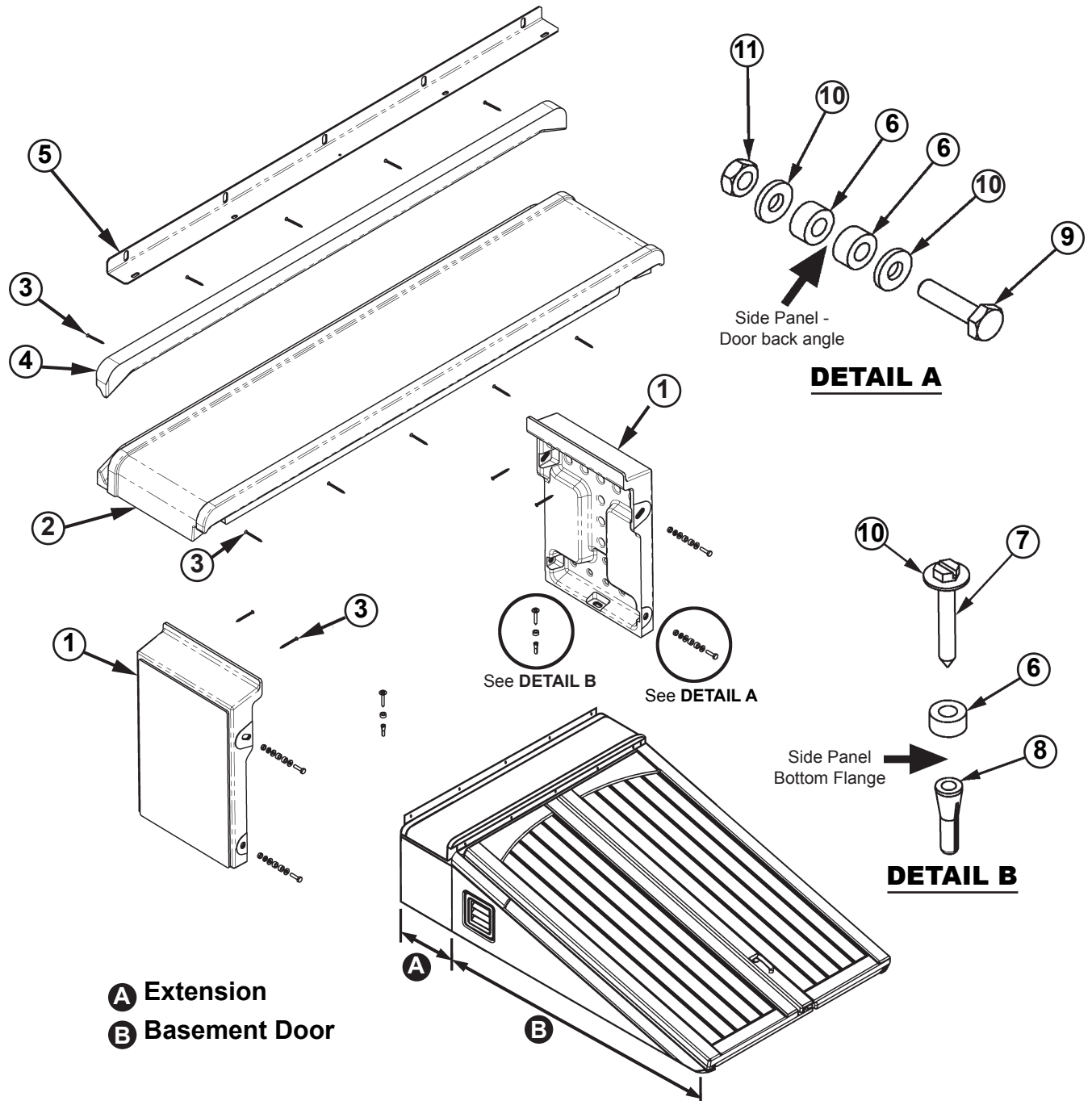
## ASSEMBLY INSTRUCTIONS

First assemble the size C Ultra Series door in accordance with the instructions supplied with the door.

1. The extension assembly consists of five parts: left side panel, right side panel, cover panel, house flange, and gap filler strip. Fasten the extension side panels to the back angle of the BILCO Door side pieces as shown in DETAIL A.
2. Install extension cover panel so that the ends overlap the extension side panels. Secure the extension side panels to the cover panel with 2" deck screws provided.
3. Follow Basement Door instructions for installation of extension header against masonry building or to fit it properly under the shingles or clapboards on a frame building.
4. Using the holes provided at bottom of each side panel, fasten the extension to concrete as shown in DETAIL B.
5. When caulking around the exterior of the BILCO Door and extension, be sure to caulk all seams between the BILCO Door and the extension panel.

### Hardware Supplied with Extension

Item No.	Qty.	Description
1	2	Side Panels
2	1	Cover Panel
3	14	2" Long Deck Screw
4	1	Gap Filler Strip
5	1	House Flange
6	10	1/4" Spacer
7	2	Anchor Screw with Washer
8	2	Concrete Anchor
9	4	1/4 - 20 x 1" Bolt
10	8	1/4" Flat Washer
11	4	1/4 - 20 Hex Nut
12	4	1/4" Lock Washer



**A** Extension  
**B** Basement Door