

Slam Lock Replacement – Floor Doors

SLAM LOCK REMOVAL

Tools needed for this procedure: *7/16" socket wrench, flathead screwdriver*

- 1) Open the cover of the door.
- 2) Using the 7/16" socket wrench, loosen the nuts on the inside of the lock as shown here in Figure 1.



Figure 1

- 3) On the outside of the cover you can now use the flathead screwdriver to partially remove the screws from the cover. (Figure 2)

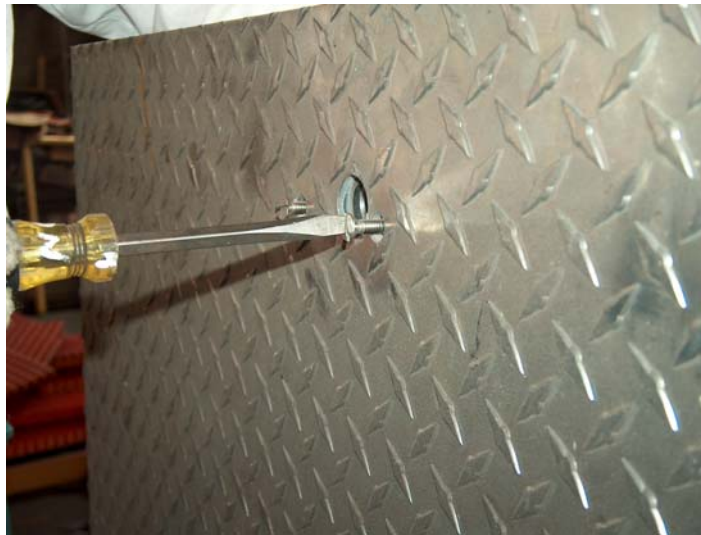


Figure 2

Slam Lock Replacement – Floor Doors

- 4) Once the nuts have been loosened you can remove them with your fingers. With the screws partially removed, the lock can be taken off of the cover completely. (Figure 3)



Figure 3

- 5) Once the screws have been completely removed, the neoprene gasket and lock spacer can also be removed. (Figure 4)



Figure 4

Slam Lock Replacement – Floor Doors

SLAM LOCK INSTALLATION

- 6) In order to install the slam lock you must first line up the neoprene gasket with the holes in the cover and push the screws through. ***Note:** It is easier if you only push the screw in as far as the gasket. This makes Step 9 easier when screwing the lock spacer to the cover. (Figure 5)



Figure 5

- 7) Once this is done you can put on the lock spacer by screwing one side in at a time.
- 8) Now that the screws are in both sides, place the lock back into its original position over the spacer and gasket. (Figure 6)



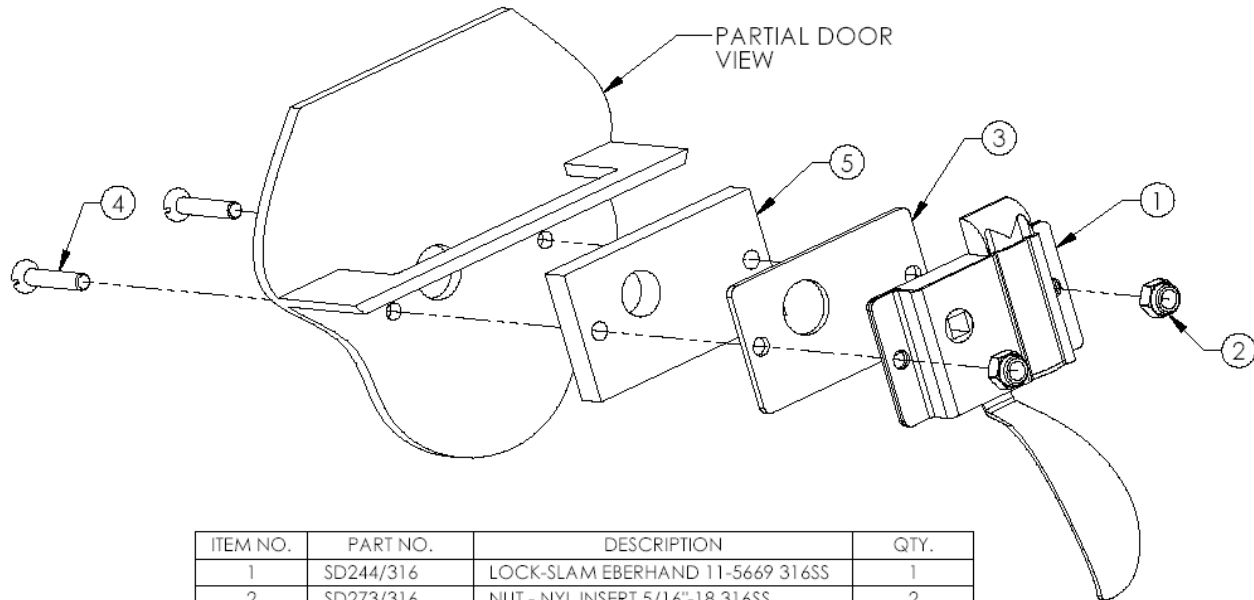
Figure 6

Slam Lock Replacement – Floor Doors

- 9) With all of the parts in place, use your fingers to put the nuts on the screws as best as possible.
- 10) Once this is done, use the 7/16" socket wrench to secure them tightly. This concludes the installation. (Figure 7)



Figure 7



ITEM NO.	PART NO.	DESCRIPTION	QTY.
1	SD244/316	LOCK-SLAM EBERHAND 11-5669 316SS	1
2	SD273/316	NUT - NYL INSERT 5/16"-18 316SS	2
3	SD251	SPACER-NEOPRENE COVER	1
4	SD285/316	SCREW-FHMS 1/4"-20 x 1 1/2" 316SS	2
5	SD223	SPACER-LOCK ALUM.	1

PARTS INCLUDED BUT NOT SHOWN: (1) COVER PLUG, (1) LOCK STRIKE, (2) SCREWS, (2) LOCK NUTS, (1) KEY WRENCH HANDLE ASSY.