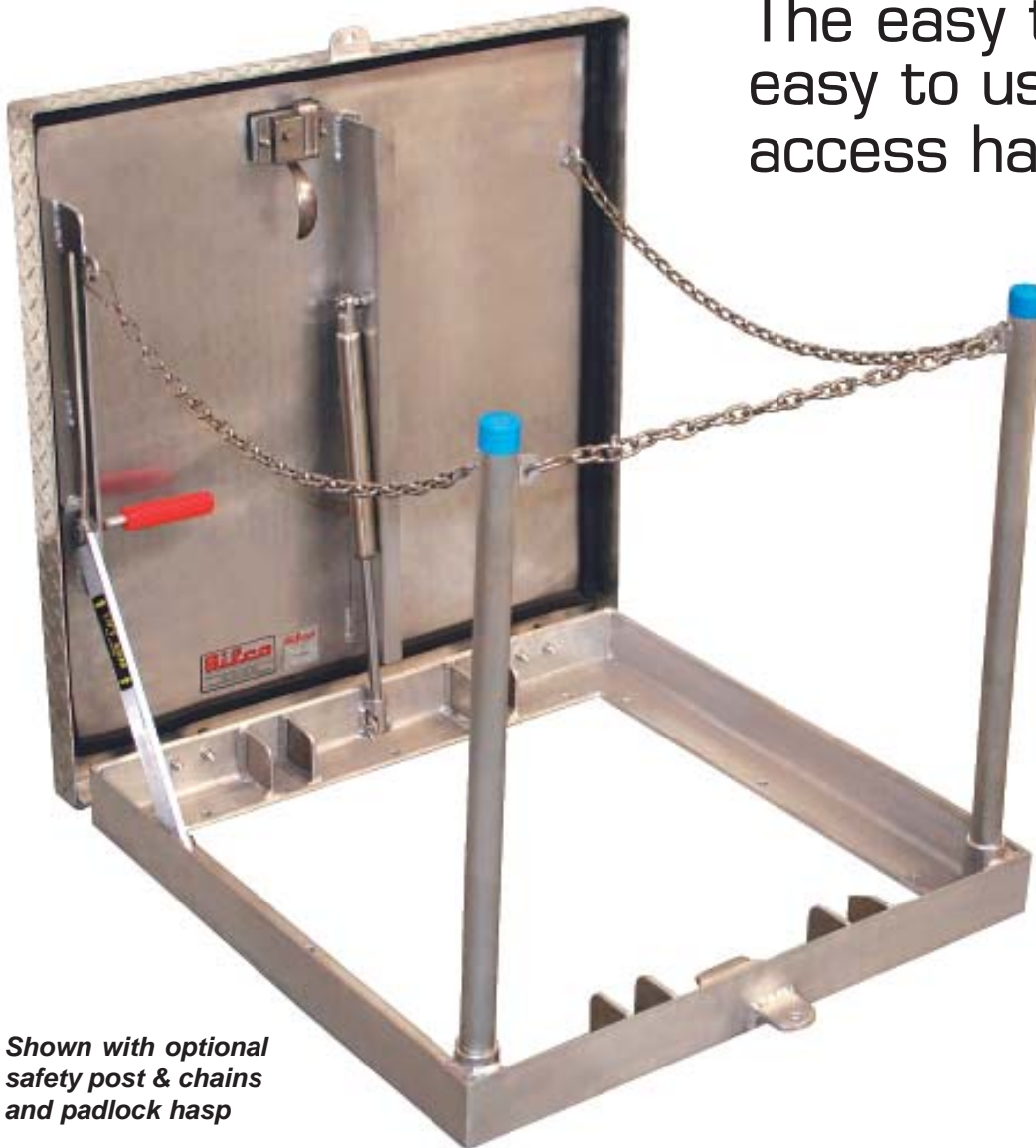


# SURFACE MOUNT ACCESS DOOR

The easy to install,  
easy to use  
access hatch



*Shown with optional  
safety post & chains  
and padlock hasp*

Bilco's **Type SM** Surface Mounted door provides a cost effective solution for access to underground vaults that do not require the use of a flush-mounted door. The door features a concealed internal mounting flange that makes installation easy and secure. Simply position the door over the vault opening and bolt it into place.

The Type SM door is also ideal for applications where the infiltration of contaminants is a concern. It's gasketed, over-lapping cover design sheds water and prevents debris and other pollutants from entering the opening.

## STANDARD FEATURES

- Automatic Hold Open arm
- Lift Assistance for ease of operation
- Available in mill finish aluminum construction



Weathertight  
perimeter gasketing



Stainless steel  
slam lock



Internal surface  
mounting flange

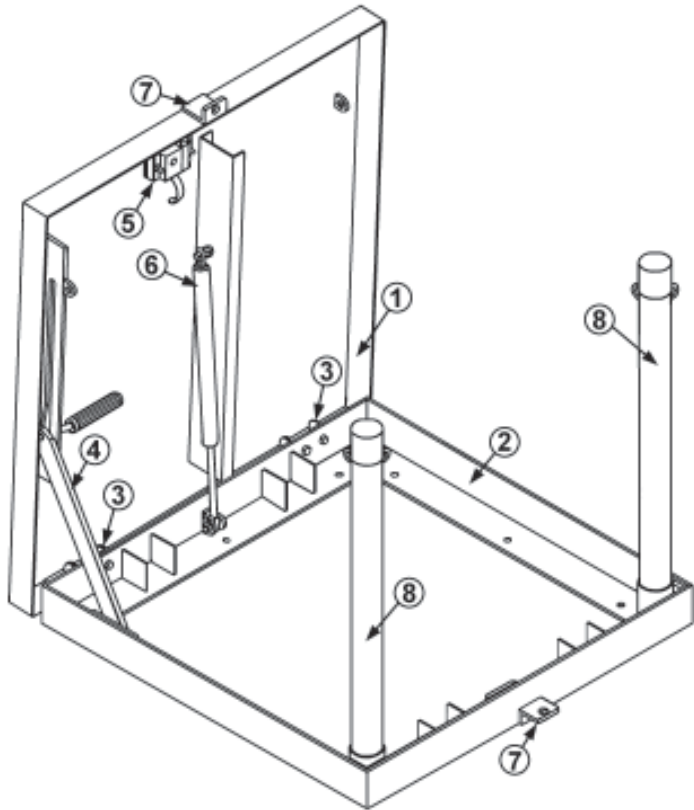


Concealed stainless  
steel hinges



The Bilco Company, P.O. Box 1203, New Haven, CT 06505 U.S.A.  
(800)366-6530 • Fax: (203)933-8478  
E-mail: [bilco@bilco.com](mailto:bilco@bilco.com) • [www.bilco.com](http://www.bilco.com)

# SURFACE MOUNT ACCESS DOOR



- 1. Diamond plate cover
- 2. Angle Frame
- 3. Stainless Steel Pintle Hinges
- 4. Automatic Hold Open Arm [optional stop chain available]
- 5. Stainless Steel Slam Lock
- 6. Gas Strut Lifting Mechanism
- 7. Optional Exterior Padlock Hasp
- 8. Optional Safety Post & Chains [chains not shown for clarity]

## STANDARD SIZES & WEIGHTS

SIZE (width x length)		MODEL NUMBER	WEIGHT	
inches	mm		lbs.	kg.
24 x 24	610 x 610	SM-1	61	28
30 x 30	762 x 762	SM-2	71	32
36 x 30	914 x 762	SM-3	78	35
36 x 36	914 x 914	SM-4	86	39
42 x 42	1067 x 1067	SM-5	99	45

## PRODUCT SPECIFICATIONS

- Material:** 1/8" [3mm] aluminum plate cover and 1/4" [6.4 mm] aluminum angle frame
- Cover:** Diamond-pattern tread plate reinforced for 105 psf [513 kg/m<sup>2</sup>] live load.
- Frame:** 1/4" x 3" x 3" [6.4mm x 76mm x 76mm] angle frame with internal mounting flange and 7/16" [11mm] diameter anchor holes.
- Gasket:** Extruded EPDM rubber gasket permanently adhered to cover.
- Hinges:** Heavy-duty, stainless steel pintle hinges with 3/8" [9.5mm] type 316 stainless steel hinge pins.
- Latch:** Type 316 stainless steel slam lock with fixed interior handle and removable exterior turn/lift handle. Latch release is protected by a flush, gasketed, removable screw plug. [For added security, specify: full welded exterior padlock hasp].
- Lift Assistance:** Gas strut lifting mechanism with powder-coat finish. Automatic hold-open arm with grip handle release.
- Finish:** Mill Finish aluminum
- Hardware:** Type 316 stainless steel unless otherwise specified.

## OPTIONAL FEATURES

1. Fully welded padlock hasp allows the areaway to be secured against intrusion.
2. Safety posts & chains provide areaway fall protection when the cover is in the open position [shown in stored position].
3. A stainless steel stop chain can be specified in place of the hold open arm and gas strut lifting mechanism. [Option not for use in personnel access applications]

