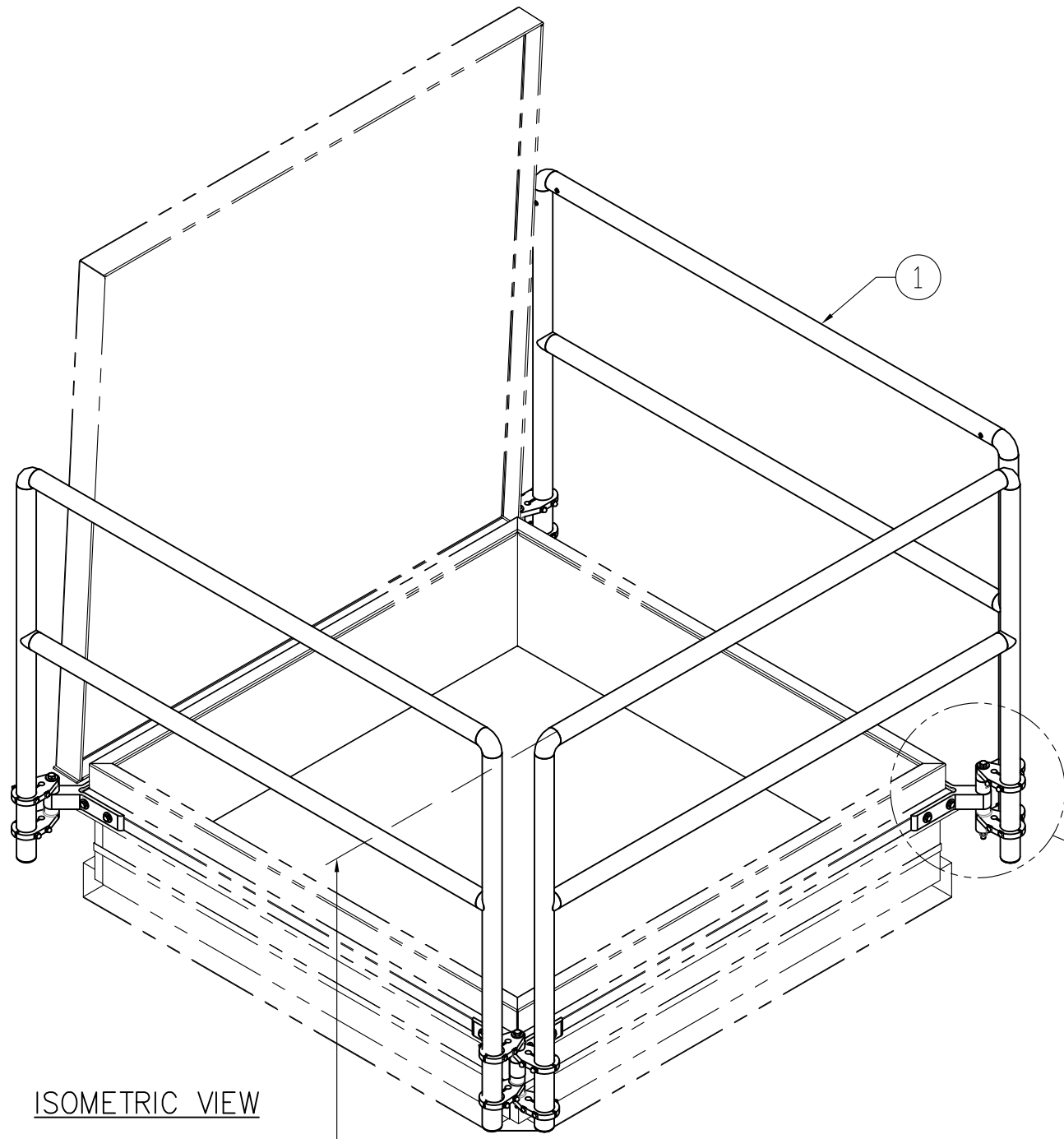
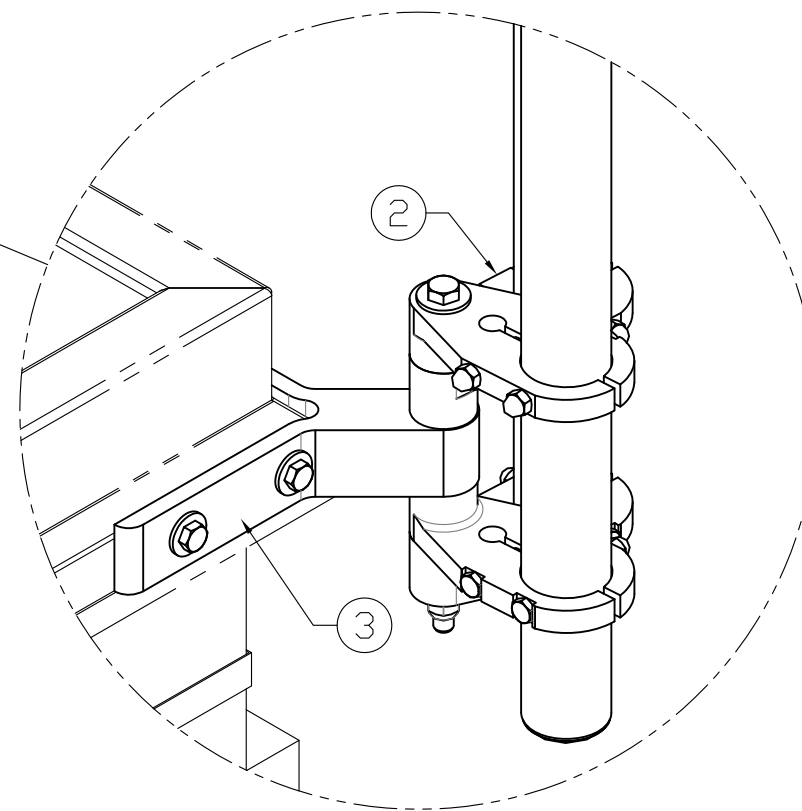


THIS DRAWING IS THE PROPERTY OF THE BILCO COMPANY AND INCORPORATES INFORMATION WHICH IS PROPRIETARY. PUBLICATION AND/OR PUBLIC DISTRIBUTION IN WHOLE OR IN PART IS EXPRESSLY PROHIBITED WITHOUT THE PRIOR WRITTEN CONSENT OF THE BILCO COMPANY. THE INFORMATION CONTAINED HEREIN REMAINS THE PROPERTY OF THE BILCO COMPANY. ALL RIGHTS RESERVED.



ISOMETRIC VIEW

SEE NOTE 1



SPECIFICATIONS

1. 1 1/4" SCHEDULE 40 PIPE IN 6061 T6 ALUMINUM ALLOY RAILS
2. ALUMINUM POST SUPPORTS
3. CORNER BRACKETS

NOTES:

1. TOP OF RAIL TO BE SET 42" ABOVE THE ROOF SURFACE OR DECK
2. NO GATES AVAILABLE ON SMOKE VENTS
3. ALL FASTENERS ARE STAINLESS STEEL
4. ALL PARTS AND FASTENERS ARE INCLUDED IN PACKAGE. CAPFLASHING MUST BE STRUCTURALLY SOUND TO SUPPORT ASSEMBLY
5. POWDER COAT FINISH IN RAL 1018, SAFETY YELLOW

SMOKE VENT NOT INCLUDED

CUSTOMER:

P.O. N.:

JOB:

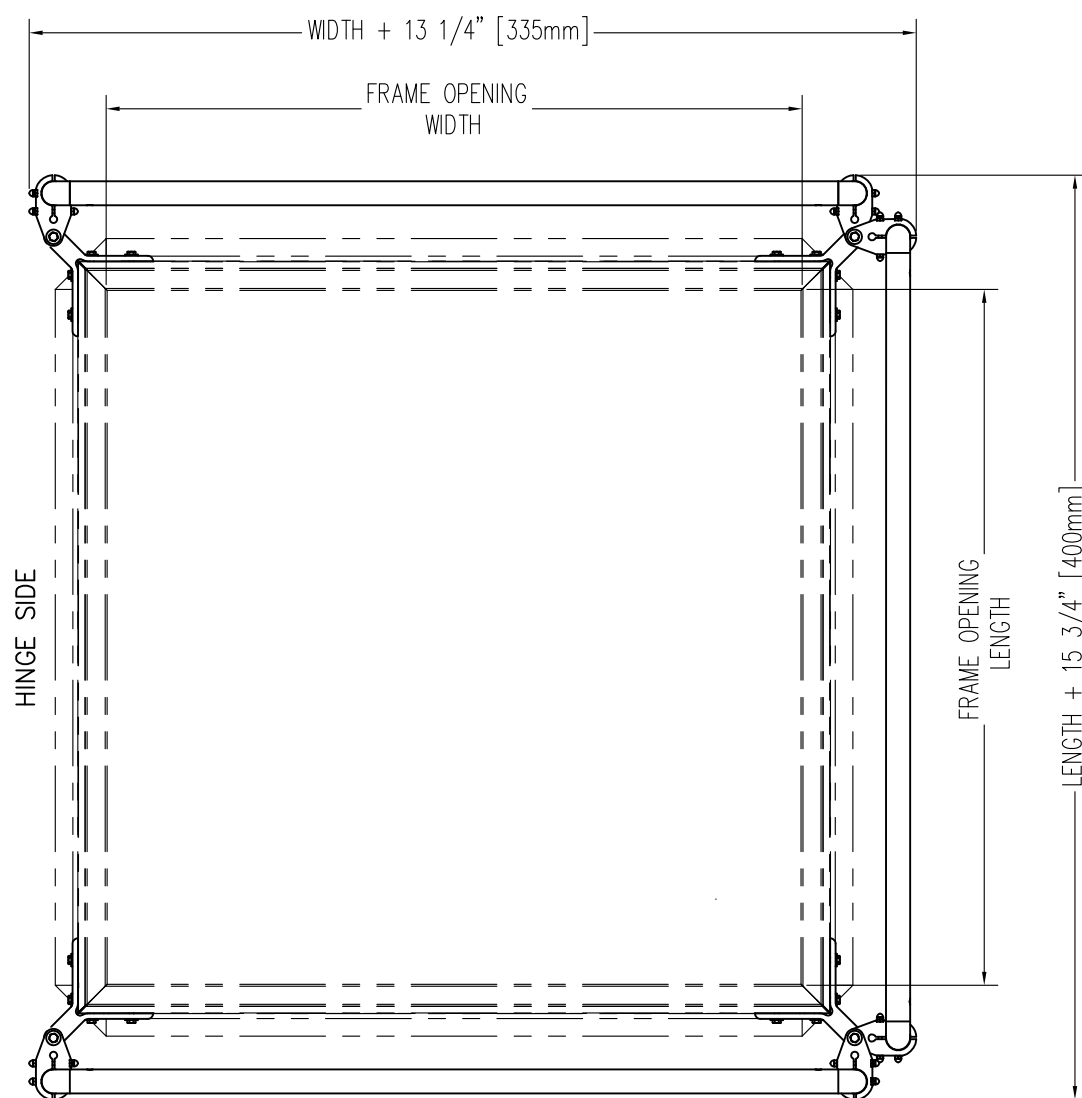
SALES REP.:

Manufacturers of Doors for Special Services
Bilco® THE BILCO COMPANY
 New Haven, Connecticut 06505

BIL-GUARD®2.0 - HATCH RAIL SYSTEM FOR SPECIAL SINGLE LEAF SMOKE VENT

QTY	TYPE	SIZE WIDTH x LENGTH
<input type="text"/>	RL2-SV	<input type="text"/> x <input type="text"/> HINGE SIDE

WEB SITE: www.bilco.com



PLAN VIEW
SHOWN WITHOUT COVER

BIL-GUARD®2.0 SINGLE LEAF SMOKE VENT INFORMATION			
CURB TYPE	<input type="checkbox"/>	STANDARD CAP FLASHING	
INSULATION SIZE	<input type="checkbox"/> 1"	<input type="checkbox"/> 2"	<input type="checkbox"/> 3"