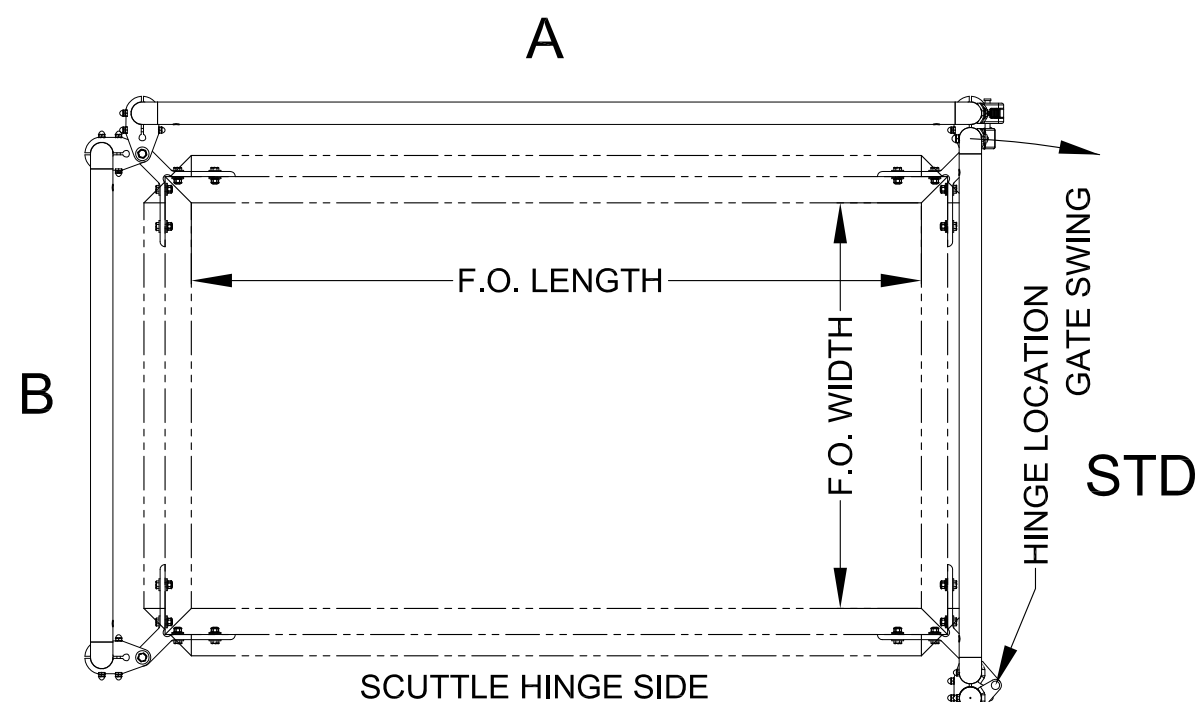
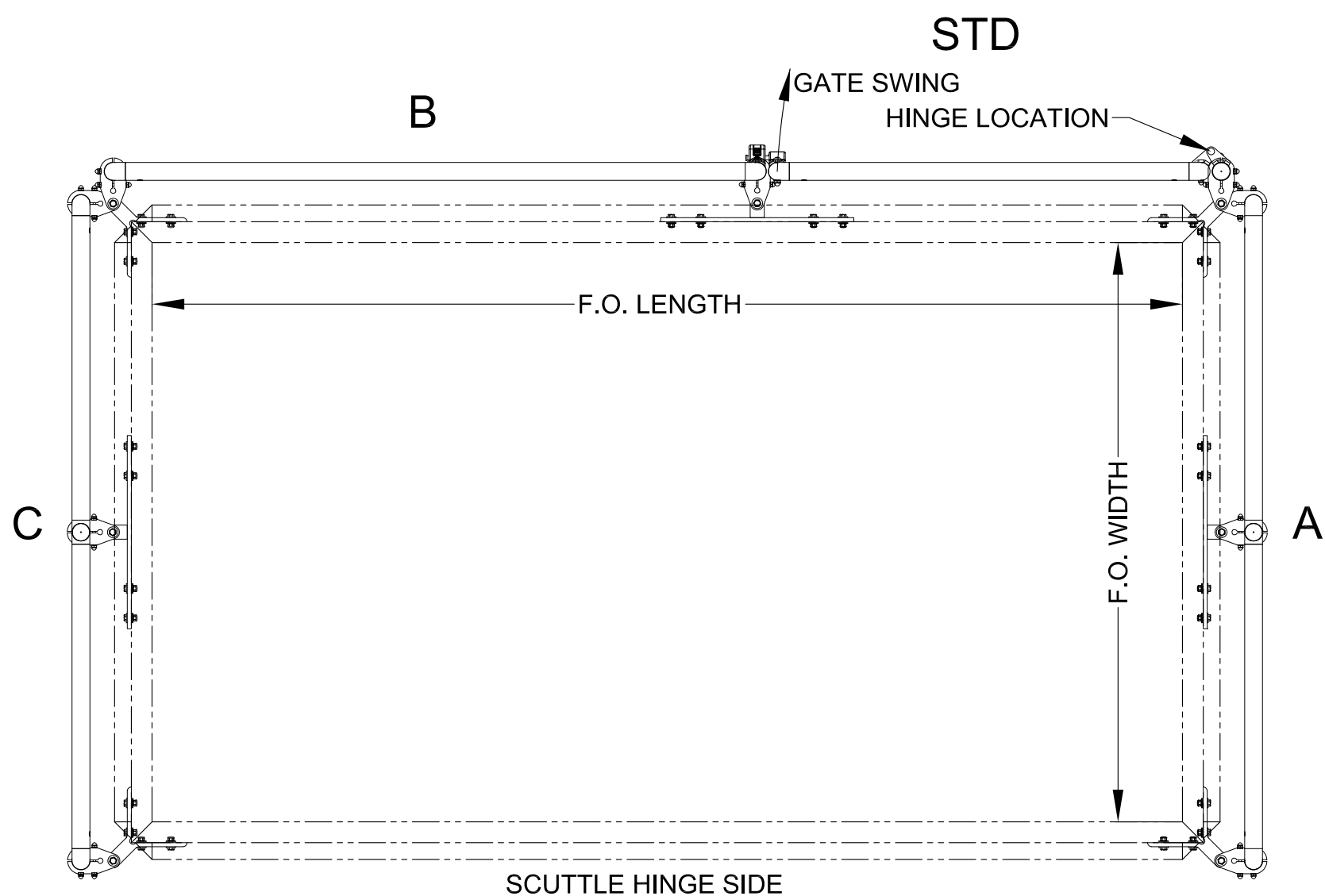


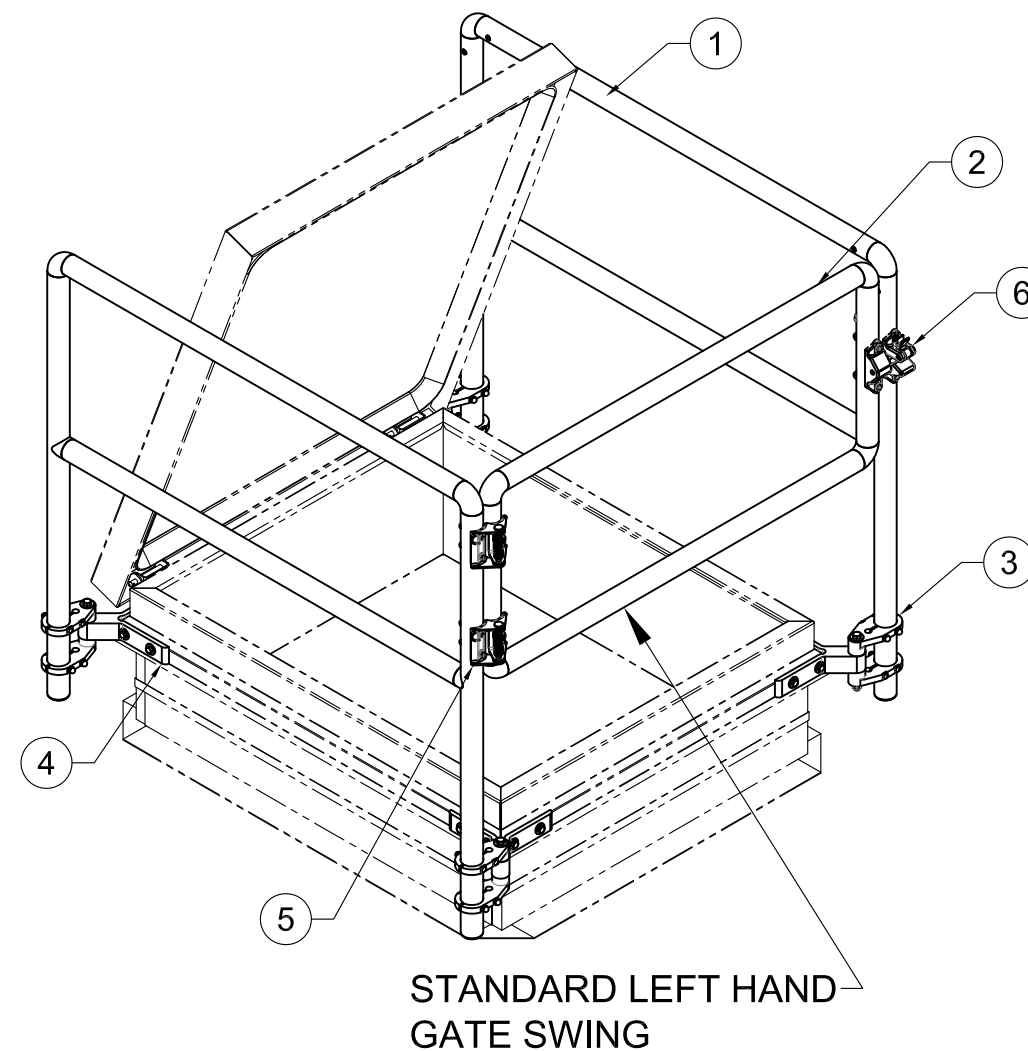
STANDARD BIL-GUARD® 2.0 GATE POSITION AND LEFT HAND GATE SWING FOR A ROOF SCUTTLE WITH: FRAME OPENING WIDTH LESS THAN OR EQUAL TO 48" FRAME OPENING LENGTH LESS THAN OR EQUAL TO 48"



STANDARD BIL-GUARD® 2.0 GATE POSITION AND LEFT HAND GATE SWING FOR A ROOF SCUTTLE WITH: FRAME OPENING WIDTH LESS THAN OR EQUAL TO 48" FRAME OPENING LENGTH GREATER THAN 48"



STANDARD BIL-GUARD® 2.0 GATE POSITION AND LEFT HAND GATE SWING FOR A ROOF SCUTTLE WITH: FRAME OPENING WIDTH GREATER THAN 48" FRAME OPENING LENGTH GREATER THAN 48"



STANDARD LEFT HAND GATE SWING

SPECIFICATIONS

1. 1 1/4" SCHEDULE 40 PIPE IN 6061 T6 ALUMINUM ALLOY RAILS
2. SELF CLOSING GATE
3. ALUMINUM POST SUPPORTS
4. CORNER BRACKETS
5. STAINLESS STEEL SPRING HINGES
6. CAST ALUMINUM GATE LATCH W/ STAINLESS STEEL PIN

NOTES:

1. TOP OF RAIL TO BE SET 42" ABOVE THE ROOF SURFACE OR DECK
2. STANDARD LEFT HAND GATE SHOWN
3. ALL FASTENERS ARE STAINLESS STEEL
4. ALL PARTS AND FASTENERS ARE INCLUDED IN PACKAGE. CAPFLASHING MUST BE STRUCTURALLY SOUND TO SUPPORT ASSEMBLY
5. POWDER COAT FINISH IN RAL 1018, SAFETY YELLOW

ROOF SCUTTLE NOT INCLUDED

CUSTOMER:

P.O. N°:

JOB:

SALES REP:

Manufacturers of Doors for Special Services
Bilco® THE BILCO COMPANY
 New Haven, Connecticut 06505

BIL-GUARD® 2.0 – HATCH RAIL SYSTEM FOR SPECIAL SINGLE LEAF ROOF SCUTTLE

QTY	TYPE	SIZE WIDTH x LENGTH
<input type="text"/>	RL2	<input type="text"/> x <input type="text"/>
		HINGE SIDE

WEB SITE: www.bilco.com

BIL-GUARD® 2.0 SINGLE LEAF ROOF SCUTTLE INFORMATION

GATE LOCATION	<input type="checkbox"/> STD	<input type="checkbox"/> A	<input type="checkbox"/> B	<input type="checkbox"/> C
GATE SWING*	<input type="checkbox"/> STD (LEFT)		<input type="checkbox"/> RIGHT	
CURB TYPE	<input type="checkbox"/> STD CAP FLASHING			
INSULATION SIZE	<input type="checkbox"/> 1"	<input type="checkbox"/> 2"	<input type="checkbox"/> 3"	

THIS DRAWING IS THE PROPERTY OF THE BILCO COMPANY AND INCORPORATES INFORMATION WHICH IS PROPRIETARY. PUBLICATION AND/OR PUBLIC DISTRIBUTION IN WHOLE OR IN PART IS EXPRESSLY PROHIBITED WITHOUT THE PRIOR WRITTEN CONSENT OF THE BILCO COMPANY. THE INFORMATION CONTAINED HEREIN REMAINS THE PROPERTY OF THE BILCO COMPANY. ALL RIGHTS RESERVED.