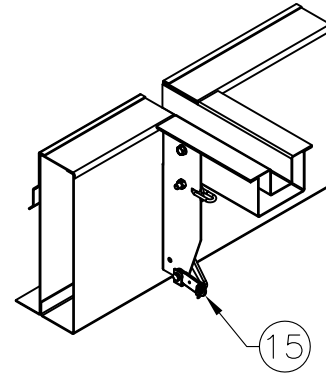


THERMOLATCH® II CURB - MOUNTED RESET



VIEW A

1. THERMOLATCH MECHANISM - COVERS WILL OPERATE ONLY WHEN ACTIVATED
 - A. MANUALLY
 - B. BY HEAT AT 165° FUSIBLE LINK
2. MANUFACTURER TO PROVIDE LABEL WITH INSTRUCTIONS TO RESET LATCH ON INTERIOR OF FRAME

ACDSV SIZE CHART

MODEL #	SIZE (WIDTH x LENGTH)	
	FEET	MM
ACDSV4848	4'-0" x 4'-0"	1220 x 1220
ACDSV4896	4'-0" x 8'-0"	1220 x 2440
ACDSV6096	5'-0" x 8'-0"	1525 x 2440
ACDSV7272	6'-0" x 6'-0"	1830 x 1830
ACDSV144	5'-6" x 12'-0"	1675 x 3660

ACDSV144 HAS (4) COVERS

NOTES:

1. COVERS SHALL OPEN AGAINST 10 PSF (49 kg/m²) SNOW/WIND LOAD
2. VENT ASSEMBLY RATED FOR 40 PSF (195 kg/m²) LIVE LOAD
3. COVERS WILL REMAIN CLOSED UNDER 90 PSF (438 kg/m²) WIND UPLIFT FORCE
4. STC-50 SOUND RATING
OITC-46 SOUND RATING
5. ISO 140-18 RAINFALL SOUND RATING - 37.5DB

SPECIFICATIONS

1. CURB, FULLY ENCLOSED WITH INTEGRAL CAPFLASHING (CORNERS FULLY WELDED) -10 GA. P.B. GALV. STEEL
2. COVER - 14 GA. P.B. GALV. STEEL
3. COVER LINER - 12 GA. P.B. GALV. STEEL
4. 4" CURB INSULATION
5. 4" COVER INSULATION
6. GASKET (ALL AROUND)
7. PIANO HINGE
8. BILCLIP® FLASHING SYSTEM
9. FIXED CENTER DRAIN
10. GAS SPRINGS WITH DAMPER & HOLD OPEN FEATURE
11. TRACTION SPRING
12. COVER RESTRAINT CABLE
13. COVER LATCH BRACKET
14. THERMOLATCH® II POSITIVE HOLD/RELEASE MECHANISM
15. 165° FUSIBLE LINK (EXTRA LINK PROVIDED)
16. INTERIOR PULL RELEASE CABLE
17. EXTERIOR PULL RELEASE CABLE

SHOP FINISH

STEEL: RED OXIDE PRIMER
 HARDWARE: CORROSION RESISTANT
 (UNLESS OTHERWISE SPECIFIED)

NOTES:

1. THIS PRODUCT MAY BE INSTALLED ON EITHER A FLAT OR SLOPING ROOF. WHEN INSTALLED ON A SLOPE, THE HINGE SIDE MUST RUN PARALLEL WITH THE SLOPE. IF SLOPE EXCEEDS 30°, ADVISE FACTORY FOR MODIFICATION.
2. FULL SPECIFICATIONS ARE AVAILABLE ON WEBSITE: www.bilco.com

CUSTOMER

P.O. NO.

JOB

SALES REP.

Bilco® Manufacturers of Doors for Special Services
 THE BILCO COMPANY
 New Haven, Connecticut 06505

**DOUBLE LEAF SMOKE VENT
 TYPE ACDSV**

QTY	MODEL	SIZE WIDTH x LENGTH
<input type="text"/>	<input type="text"/>	<input type="text"/> x <input type="text"/> HINGE SIDE

THIS DRAWING IS THE PROPERTY OF THE BILCO COMPANY AND INCORPORATES INFORMATION WHICH IS PROPRIETARY. PUBLICATION AND/OR PUBLIC DISTRIBUTION IN WHOLE OR IN PART IS EXPRESSLY PROHIBITED WITHOUT THE PRIOR WRITTEN CONSENT OF THE BILCO COMPANY. THE INFORMATION CONTAINED HEREIN REMAINS THE PROPERTY OF THE BILCO COMPANY. ALL RIGHTS RESERVED.

