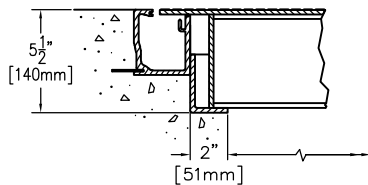
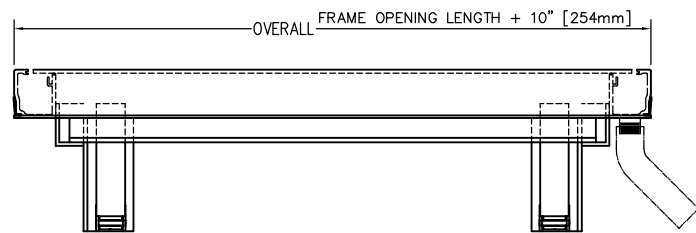
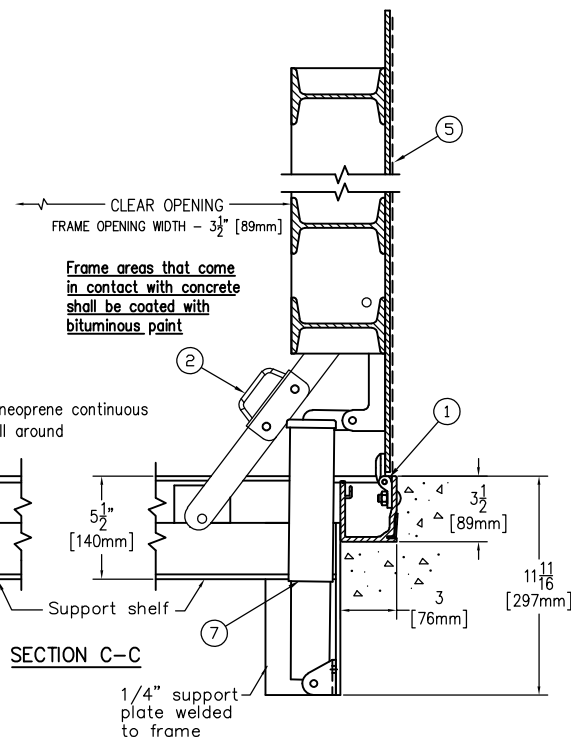


NOTE:  
DESIGNED TO WITHSTAND H-20 WHEEL  
LOADINGS SUITABLE FOR USE IN OFF-  
STREET LOCATIONS WHERE NOT SUBJECTED  
TO HIGH DENSITY TRAFFIC



CHANNEL SUPPORT SHELF MUST BE SUPPORTED BY CONCRETE OR STEEL TO CARRY H-20 LOADING

SECTION B-B



SECTION C-C

THIS DRAWING IS THE PROPERTY OF THE BILCO COMPANY AND INCORPORATES INFORMATION WHICH IS PROPRIETARY. PUBLICATION AND/OR PUBLIC DISTRIBUTION IN WHOLE OR IN PART IS EXPRESSLY PROHIBITED WITHOUT THE PRIOR WRITTEN CONSENT OF THE BILCO COMPANY. THE INFORMATION CONTAINED HEREIN REMAINS THE PROPERTY OF THE BILCO COMPANY. ALL RIGHTS RESERVED.

**SPECIFICATIONS**

1. BILCO HEAVY DUTY FORGED STAINLESS STEEL HINGES WITH STAINLESS STEEL PINS
2. BILCO AUTOMATIC HOLD OPEN ARM
3. 1-1/2" DRAIN COUPLING
4. STANDARD SLAM LOCK
5. 1/4" ALUMINUM DIAMOND PATTERN PLATE COVER
6. BILCO 1/4" ALUMINUM CHANNEL FRAME WITH RECESSED ANCHORS
7. STAINLESS STEEL SPRING LIFTING MECHANISM

SHOP FINISH:  
ALUMINUM: MILL FINISH  
HARDWARE: TYPE 316 STAINLESS STEEL  
(UNLESS OTHERWISE SPECIFIED)

REINFORCED FOR H20 LOADING

**INSTALLER NOTES:**

- A. USE CAUTION. COVER IS SPRING LOADED. DO NOT REMOVE SAFETY SHIPPING BOLT UNTIL UNIT IS TO BE INSTALLED AND IN NORMAL HORIZONTAL OPERATING POSITION.
- B. BE SURE UNIT IS SET ON SLIGHT PITCH TOWARD DRAIN CORNER.
- C. BEFORE ANCHORING IN PLACE OPEN AND CLOSE DOOR. CHECK TO SEE THAT THE DOOR IN THE CLOSED POSITION RESTS ON THE FRAME ALL AROUND. IF NOT, SHIM UNDER THE FRAME AT THE PROPER CORNER.
- D. DO NOT REDUCE 1 1/2" DRAIN PIPE TO DRY WELL OR DISPOSAL SYSTEM.
- E. BEND DOWN ANCHORS IF REQUIRED

CUSTOMER:

P.O. N°

JOB:

SALES REP:

Manufacturers of Doors for Special Services  
**Bilco** THE BILCO COMPANY  
New Haven, Connecticut 06505

**SINGLE LEAF ACCESS DOOR  
TYPE J-ALH20 - EXTERIOR  
SIZE**

QTY	TYPE	WIDTH x LENGTH
<input type="checkbox"/>	J-1ALH20	2'-0" x 2'-0" [610mm] x [610mm]
<input type="checkbox"/>	J-2ALH20	2'-6" x 2'-6" [762mm] x [762mm]
<input type="checkbox"/>	J-3ALH20	3'-0" x 2'-6" [914mm] x [762mm]
<input type="checkbox"/>	J-4ALH20	3'-0" x 3'-0" [914mm] x [914mm]
<input type="checkbox"/>	J-5ALH20	3'-6" x 3'-6" [1065mm] x [1065mm]