



Experience. Innovation.

BILCO Foundation Plate Installation Instructions

Log-on to www.bilco.com/install for answers to frequently asked installation questions.

Customer Service at (800) 854-9724
Weekdays from 9 AM to 5 PM EST.
residential@BILCO.com | www.BILCO.com

BILCO foundation plates can be used with both sloped wall and sided basement doors. Foundation plates are installed on top of areaway foundation or sidewalls to:

- Improve areaway appearance
- Cover rough masonry and small holes, and span voids in brick and concrete block
- Reduce the inside width of the areaway foundation
- Support basement doors in corner installations with one side supported by house

Cutting foundation plates

Foundation plates must be cut to fit areaway. For best appearance, cut ends that go against house and scribe 1-3/4" side to fit flush against house. For safety, work gloves, eye and hearing protection and long sleeves are recommended. Do not cut near flammable materials.

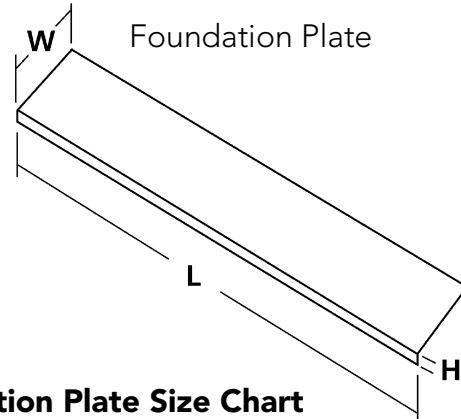
Firmly clamp plate to a solid surface. Cut with a circular saw and an abrasive metal cutting blade, a reciprocating saw or jig saw and a metal cutting blade with 18 to 24 teeth per inch, or use a hacksaw. Do not force blade through steel.

Foundation plate installation

Foundation plates are 72" long. Select correct width for your foundation, determine overall length, and cut to fit (note: foundation plates are installed with 1-3/4" flange on outside of sidewall, see Figure - 1). If areaway is longer than 72", overlap two foundation plates. To do this, place a full length foundation plate at low end of each sidewall and cut a piece long enough to fill gap and overlap first plate by at least one inch, see Figure -1. Foundation plates must be level. If necessary, level top of sidewalls with mortar before installing foundation plates. Foundation plates must be firmly anchored to foundation with 1/4" lead or steel masonry anchors (not supplied).

If the basement door frame overlaps the foundation by at least 2", the foundation plates and door frame can be anchored to the foundation at the same time, using the nail-in anchors in door hardware. Use pre-drilled holes in basement door side pieces as a guide and follow basement door instructions to anchor foundation plates and side pieces to the foundation.

If door frame does not overlap foundation by at least 2", anchor foundation plates to areaway foundation using 1/4" nail-in anchors provided with the door hardware. Locate anchors at least 6" from the inside edge of the foundation plate, space 18" apart, and anchor door frame to the foundation plates with 1/4" round head bolts and nuts (purchased separately). It may be necessary to chisel pockets in foundation for bolts and nuts.



Foundation Plate Size Chart

Model	Width	Length	Height
FP5	5"	72"	1-3/4"
FP8	8"	72"	1-3/4"
FP11	11"	72"	1-3/4"
FP14	14"	72"	1-3/4"

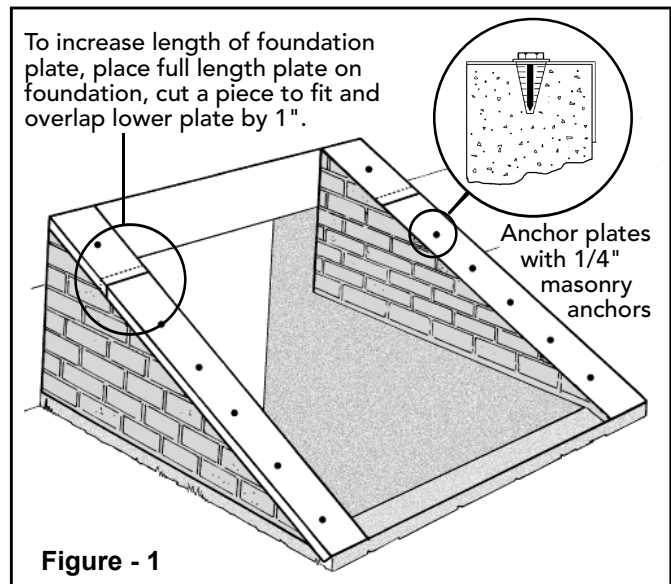


Figure - 1

Using Foundation plates to reduce the inside width of an areaway

Select foundation plates that are wide enough to cover the top of the foundation and reduce the width of the areaway for proper fit of the BILCO Door. Figure - 2 shows an areaway with 8" sidewalls and 60" inside width. Figure - 3 shows two 11" foundation plates used to reduce the inside width to 54".

If necessary, you can use a different width foundation plate on each sidewall for proper fit. Cut the foundation plates to the proper length, and drill $\frac{9}{32}$ " holes, at least 6" from the inside edge of the foundation plate, every 18". Change to a $\frac{1}{4}$ " carbide tipped masonry drill bit and use the holes in the foundation plates as a guide to drill $\frac{1}{4}$ " x 2- $\frac{1}{4}$ " holes in the foundation. Anchor foundation plates to solid, level masonry with $\frac{1}{4}$ " nail-in anchors provided in the door hardware package. If the foundation plates overhang the foundation by more than 6", fasten pressure treated wood or angle iron to the inside of the masonry foundation so that it supports the entire length of foundation plate.

Position the basement door frame on firmly anchored foundation plates and verify that door frame is level and square. Using pre-drilled holes in door frame as a guide, drill $\frac{9}{32}$ " holes in the foundation plates using a metal drill bit. Apply bead of silicone caulking compound under door frame where it meets foundation plates and around each anchor hole. Anchor door frame to foundation plates using $\frac{1}{4}$ " x $\frac{1}{2}$ " bolts and $\frac{1}{4}$ " hex nuts (not supplied).

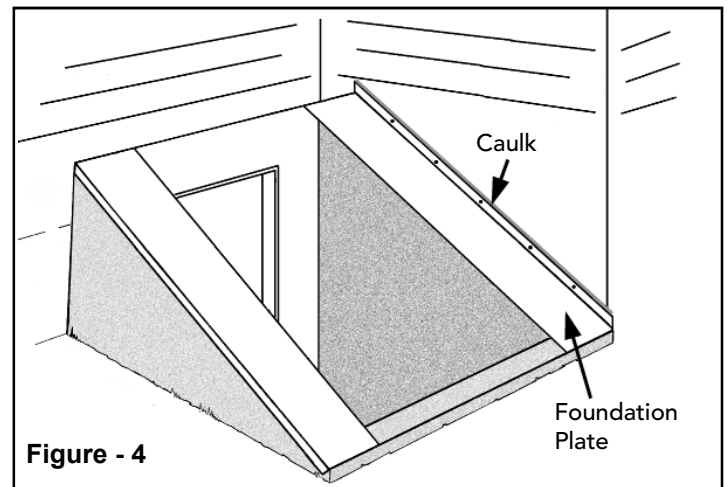
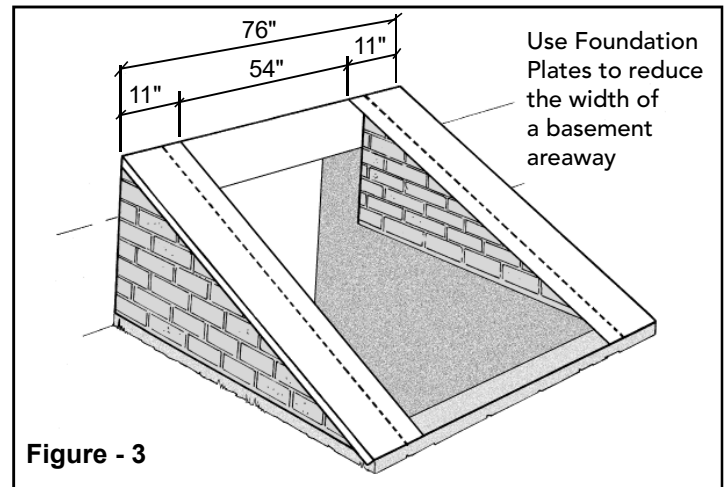
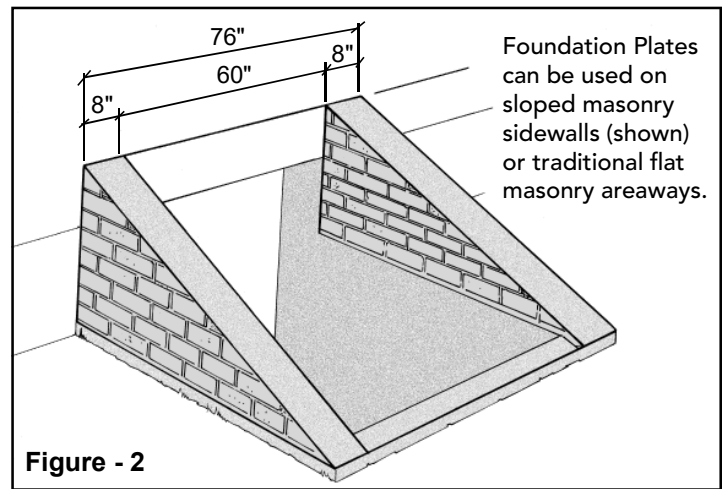
Using Foundation plates for a corner installation with one side supported by the house

Select a foundation plate wide enough to allow the door leaf to open completely and safety latch to engage. Cut foundation plate to length, drill $\frac{9}{32}$ " holes every 18" in 1- $\frac{3}{4}$ " flange, and place it against house with 1- $\frac{3}{4}$ " flange facing up, per Figure - 4. Be sure that foundation plate is level with opposite areaway sidewall. Mark hole locations on house foundation. If necessary remove siding so that foundation plate can be anchored directly to house foundation or sheathing. Drill $\frac{1}{4}$ " x 1- $\frac{1}{2}$ " deep holes in house foundation. Fasten foundation plate to house foundation through 1- $\frac{3}{4}$ " upturned flange. For masonry construction, use $\frac{1}{4}$ " x 1- $\frac{1}{2}$ " masonry lags and shields (purchased separately). For wood construction, use wood screws. Caulk foundation plate where it meets house with silicone caulk (not supplied).

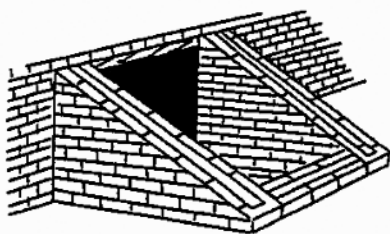
Painting Instructions

BILCO foundation plates are supplied in either a red oxide primer or powder coat paint finish. If your foundation plates have a powder coat finish, no additional finishing is required.

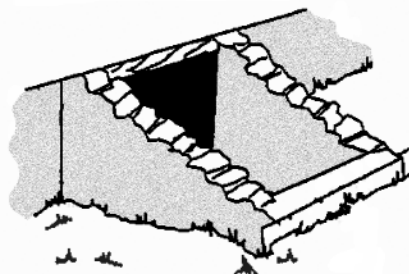
IMPORTANT: Foundation plates supplied with a primer finish must be painted within forty-five (45) days of installation. BILCO requires the use an **exterior alkyd base enamel**. For best results, carefully follow the directions on the paint label and apply one thin coat of paint followed by a second coat on both top and bottom primed steel surfaces. **Application of paints that are not alkyd based may void product warranty.**



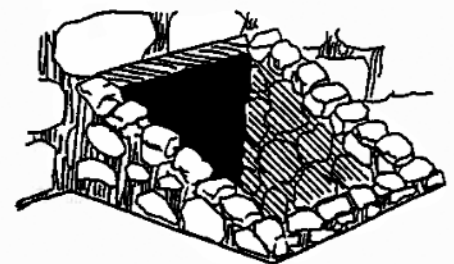
Typical Foundation Plate Applications



Hollow Brick



Rough Cement



Field Stone or Granite